

Operator's Manual



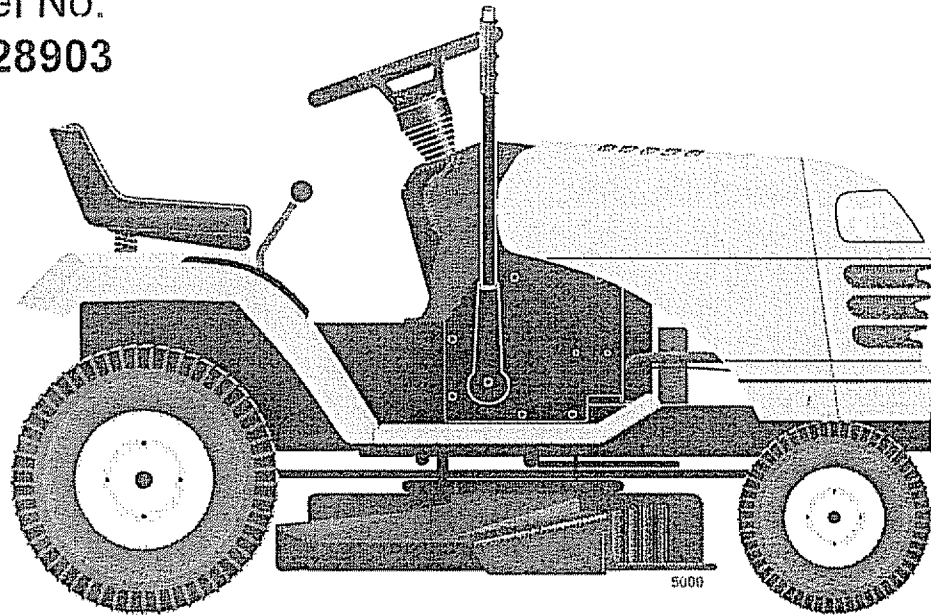
LAWN TRACTOR

17.5 HP,* 42" Mower

Electric Start

6 Speed Transaxle

Model No.
917.28903



• Español, p. 33



This product has a low emission engine which operates differently from previously built engines. Before you start the engine, read and understand this Owner's Manual.

IMPORTANT:

Read and follow all Safety Rules and Instructions before operating this equipment.

For answers to your questions about this product, Call:

1-800-659-5917

Sears Craftsman Help Line
5 am - 5 pm, Mon - Sat

Sears, Roebuck and Co., Hoffman Estates, IL 60179 U.S.A.

n the U.S.A.

Visit our Craftsman website www.sears.com/craftsman

*As rated by the engine manufacturer

TABLE OF CONTENTS

Warranty	2	Maintenance	17
Safety Rules	3	Service and Adjustments	22
Product Specifications	6	Storage	27
Assembly/Pre-Operation	8	Troubleshooting	28
Operation	11	Sears Service	Back Cover
Maintenance Schedule	17		

WARRANTY

CRAFTSMAN LIMITED WARRANTY

TWO YEARS ON TRACTOR

When operated and maintained according to all supplied instructions, if this tractor fails due to a defect in material or workmanship within two years from the date of purchase, call 1-800-4-MY-HOME® to arrange for free repair.

During the first year of purchase, there will be no charge for warranty service in your home. For your convenience, in-home warranty service will still be available after the first year of purchase, but a trip charge will apply. This charge will be waived if you transport the tractor to an authorized Craftsman drop-off location. For the nearest authorized location, call 1-800-4-MY-HOME®.

90 DAYS ON BATTERY

For ninety (90) days from date of purchase, if the battery included with this tractor is defective in material or workmanship (our testing proves it will not hold a charge), it will be replaced free of charge in your home.

This warranty covers ONLY defects in material and workmanship. Sears will NOT pay for.

- Expendable items that become worn during normal use, including but not limited to blades, spark plugs, air cleaners, belts, and oil filters.
- Standard maintenance servicing, oil changes, or tune-ups.
- Tire replacement or repair caused by punctures from outside objects, such as nails, thorns, stumps, or glass.
- Tire or wheel replacement or repair resulting from normal wear, accident, or improper operation or maintenance.
- Repairs necessary because of operator abuse, including but not limited to damage caused by towing objects beyond the capability of the tractor, impacting objects that bend the frame or crankshaft, or over-speeding the engine.
- Repairs necessary because of operator negligence, including but not limited to, electrical and mechanical damage caused by improper storage, failure to use the proper grade and amount of engine oil, failure to keep the deck clear of flammable debris, or failure to maintain the equipment according to the instructions contained in the operator's manual.
- Engine (fuel system) cleaning or repairs caused by fuel determined to be contaminated or oxidized (stale). In general, fuel should be used within 30 days of its purchase date.
- Normal deterioration and wear of the exterior finishes, or product label replacement.

All tractor and battery warranty coverage is void if this product is ever used for commercial or rental purposes.

This warranty applies only while this product is within the United States.

This warranty gives you specific legal rights, and you may also have other rights which vary from state to state.

Sears, Roebuck and Co., Hoffman Estates, IL 60179

SAFETY RULES

DANGER: This cutting machine is capable of amputating hands and feet and throwing objects. Failure to observe the following safety instructions could result in serious injury or death.

⚠ WARNING: In order to prevent accidental starting when setting up, transporting, adjusting or making repairs, always disconnect spark plug wire and place wire where it cannot contact spark plug.

⚠ WARNING: Do not coast down a hill in neutral, you may lose control of the tractor.

⚠ WARNING: Tow only the attachments that are recommended by and comply with specifications of the manufacturer of your tractor. Use common sense when towing. Operate only at the lowest possible speed when on a slope. Too heavy of a load, while on a slope, is dangerous. Tires can lose traction with the ground and cause you to lose control of your tractor.

⚠ WARNING: Engine exhaust, some of its constituents, and certain vehicle components contain or emit chemicals known to the State of California to cause cancer and birth defects or other reproductive harm.

⚠ WARNING: Battery posts, terminals and related accessories contain lead and lead compounds, chemicals known to the State of California to cause cancer and birth defects or other reproductive harm. **Wash hands after handling.**

I. GENERAL OPERATION

- Read, understand, and follow all instructions on the machine and in the manual before starting.
- Do not put hands or feet near rotating parts or under the machine. Keep clear of the discharge opening at all times.
- Only allow responsible adults, who are familiar with the instructions, to operate the machine.
- Clear the area of objects such as rocks, toys, wire, etc., which could be picked up and thrown by the blades.
- Be sure the area is clear of bystanders before operating. Stop machine if anyone enters the area.
- Never carry passengers.
- Do not mow in reverse unless absolutely necessary. Always look down and behind before and while backing.
- Never direct discharged material toward anyone. Avoid discharging material against a wall or obstruction. Material may ricochet back toward the operator. Stop the blades when crossing gravel surfaces.
- Do not operate machine without the entire grass catcher, discharge guard, or other safety devices in place and working.
- Slow down before turning.
- Never leave a running machine unattended. Always turn off blades, set parking brake, stop engine, and remove keys before dismounting.
- Disengage blades when not mowing. Shut off engine and wait for all parts to come to a complete stop before cleaning the machine, removing the grass catcher, or unclogging the discharge guard.
- Operate machine only in daylight or good artificial light.
- Do not operate the machine while under the influence of alcohol or drugs.
- Watch for traffic when operating near or crossing roadways.
- Use extra care when loading or unloading the machine into a trailer or truck.
- Always wear eye protection when operating machine.
- Data indicates that operators, age 60 years and above, are involved in a large percentage of riding mower-related injuries. These operators should evaluate their ability to operate the riding mower safely enough to protect themselves and others from serious injury.
- Follow the manufacturer's recommendation for wheel weights or counterweights.
- Keep machine free of grass, leaves or other debris build-up which can touch hot exhaust / engine parts and burn. Do not allow the mower deck to plow leaves or other debris which can cause build-up to occur. Clean any oil or fuel spillage before operating or storing the machine. Allow machine to cool before storage.

SAFETY RULES

II. SLOPE OPERATION

Slopes are a major factor related to loss of control and tip-over accidents, which can result in severe injury or death. Operation on all slopes requires extra caution. If you cannot back up the slope or if you feel uneasy on it, do not mow it.

- Mow up and down slopes, not across.
- Watch for holes, ruts, bumps, rocks, or other hidden objects. Uneven terrain could overturn the machine. Tall grass can hide obstacles.
- Choose a low ground speed so that you will not have to stop or shift while on the slope.

- Do not mow on wet grass. Tires may lose traction.

Always keep the machine in gear when going down slopes. Do not shift to neutral and coast downhill.

- Avoid starting, stopping, or turning on a slope. If the tires lose traction, disengage the blades and proceed slowly straight down the slope.
- Keep all movement on the slopes slow and gradual. Do not make sudden changes in speed or direction, which could cause the machine to roll over.
- Use extra care while operating machine with grass catchers or other attachments; they can affect the stability of the machine. Do no use on steep slopes.
- Do not try to stabilize the machine by putting your foot on the ground.
- Do not mow near drop-offs, ditches, or embankments. The machine could suddenly roll over if a wheel is over the edge or if the edge caves in.

III. CHILDREN

Tragic accidents can occur if the operator is not alert to the presence of children. Children are often attracted to the machine and the mowing activity. Never assume that children will remain where you last saw them.

- Keep children out of the mowing area and in the watchful care of a responsible adult other than the operator.
- Be alert and turn machine off if a child enters the area.

- Before and while backing, look behind and down for small children.
- Never carry children, even with the blades shut off. They may fall off and be seriously injured or interfere with safe machine operation. Children who have been given rides in the past may suddenly appear in the mowing area for another ride and be run over or backed over by the machine.
- Never allow children to operate the machine.
- Use extra care when approaching blind corners, shrubs, trees, or other objects that may block your view of a child.

IV. TOWING

- Tow only with a machine that has a hitch designed for towing. Do not attach towed equipment except at the hitch point.
- Follow the manufacturer's recommendation for weight limits for towed equipment and towing on slopes.
- Never allow children or others in or on towed equipment.
- On slopes, the weight of the towed equipment may cause loss of traction and loss of control.
- Travel slowly and allow extra distance to stop.

V. SERVICE

SAFE HANDLING OF GASOLINE

To avoid personal injury or property damage, use extreme care in handling gasoline. Gasoline is extremely flammable and the vapors are explosive.

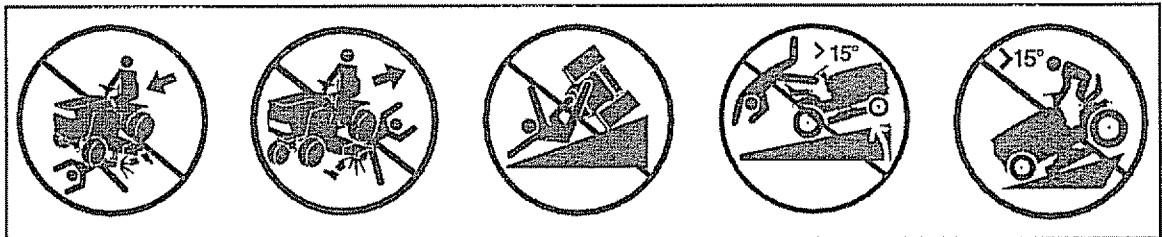
- Extinguish all cigarettes, cigars, pipes, and other sources of ignition.
- Use only approved gasoline container.
- Never remove gas cap or add fuel with the engine running. Allow engine to cool before refueling.
- Never fuel the machine indoors.
- Never store the machine or fuel container where there is an open flame, spark, or pilot light such as on a water heater or other appliances.
- Never fill containers inside a vehicle or on a truck or trailer bed with plastic liner. Always place containers on the ground away from your vehicle when filling.

SAFETY RULES

- Remove gas-powered equipment from the truck or trailer and refuel it on the ground. If this is not possible, then refuel such equipment with a portable container, rather than from a gasoline dispenser nozzle.
- Keep the nozzle in contact with the rim of the fuel tank or container opening at all times until fueling is complete. Do not use a nozzle lock-open device.
- If fuel is spilled on clothing, change clothing immediately.
- Never overfill fuel tank. Replace gas cap and tighten securely.
- Keep machine free of grass, leaves, or other debris build-up. Clean oil or fuel spillage and remove any fuel-soaked debris. Allow machine to cool before storing.
- If you strike a foreign object, stop and inspect the machine. Repair, if necessary, before restarting.
- Never make any adjustments or repairs with the engine running.
- Check grass catcher components and the discharge guard frequently and replace with manufacturer's recommended parts, when necessary.
- Mower blades are sharp. Wrap the blade or wear gloves, and use extra caution when servicing them.
- Check brake operation frequently. Adjust and service as required.
- Maintain or replace safety and instruction labels, as necessary.

GENERAL SERVICE

- Never operate machine in a closed area.
- Keep all nuts and bolts tight to be sure the equipment is in safe working condition.
- Never tamper with safety devices. Check their proper operation regularly.



- Be sure the area is clear of bystanders before operating. Stop machine if anyone enters the area.
- Never carry passengers.
- Do not mow in reverse unless absolutely necessary. Always look down and behind before and while backing.
- Never carry children, even with the blades shut off. They may fall off and be seriously injured or interfere with safe machine operation. Children who have been given rides in the past may suddenly appear in the mowing area for another ride and be run over or backed over by the machine.
- Keep children out of the mowing area and in the watchful care of a responsible adult other than the operator.
- Be alert and turn machine off if a child enters the area.
- Before and while backing, look behind and down for small children.
- Mow up and down slopes (15° Max), not across.
- Choose a low ground speed so that you will not have to stop or shift while on the slope.
- Avoid starting, stopping, or turning on a slope. If the tires lose traction, disengage the blades and proceed slowly straight down the slope.
- If machine stops while going uphill, disengage blades, shift into reverse and back down slowly.
- Do not turn on slopes unless necessary, and then, turn slowly and gradually downhill, if possible.

PRODUCT SPECIFICATIONS

Gasoline Capacity and Type:	1.25 Unleaded Regular
Oil Type (API-SG-SL):	SAE 30 (above 32°F) SAE 5W-30(below 32°F)
Oil Capacity:	W/Filter 56 oz. W/O Filter 48 oz.
Spark Plug:	Champion RC12YC (Gap: .030")
Ground Speed (MPH):	Forward: 1st 1.1 2nd 1.4 3rd 2.2 4th 3.4 5th 4.3 6th 5.5 Reverse: 1.7
Charging System:	3 Amps Battery 5 Amps Headlights
Battery:	Amp/Hr: 28 Min. CCA: 230 Case Size: U1R
Blade Bolt Torque:	45-55 Ft. Lbs.

CONGRATULATIONS on your purchase of a new tractor. It has been designed, engineered and manufactured to give you the best possible dependability and performance.

Should you experience any problem you cannot easily remedy, please contact a Sears or other qualified service center. We have competent, well-trained representatives and the proper tools to service or repair this tractor.

Please read and retain this manual. The instructions will enable you to assemble and maintain your tractor properly. Always observe the "SAFETY RULES".

CUSTOMER RESPONSIBILITIES

- Read and observe the safety rules.
- Follow a regular schedule in maintaining, caring for and using your tractor.
- Follow the instructions under "Maintenance" and "Storage" sections of this owner's manual.

⚠️ WARNING: This tractor is equipped with an internal combustion engine and should not be used on or near any unimproved forest-covered, brush-covered or grass-covered land unless the engine's exhaust system is equipped with a spark arrester meeting applicable local or state laws (if any). If a spark arrester is used, it should be maintained in effective working order by the operator.

In the state of California the above is required by law (Section 4442 of the California Public Resources Code). Other states may have similar laws. Federal laws apply on federal lands. A spark arrester for the muffler is available through your nearest Sears service center (See REPAIR PARTS manual).

REPAIR PROTECTION AGREEMENTS

Congratulations on making a smart purchase. Your new Craftsman® product is designed and manufactured for years of dependable operation. But like all products, it may require repair from time to time. That's when having a Repair Protection Agreement can save you money and aggravation.

Purchase a Repair Protection Agreement now and protect yourself from unexpected hassle and expense.

Here's what's included in the Agreement:

- Expert service by our 12,000 professional repair specialists.
- Unlimited service and no charge for parts and labor on all covered repairs.
- Product replacement if your covered product can't be fixed.
- Discount of 10% from regular price of service and service-related parts not covered by the agreement; also, 10% off regular price of preventive maintenance check.
- Fast help by phone – phone support from a Sears representative on products requiring in-home repair, plus convenient repair scheduling.

Once you purchase the Agreement, a simple phone call is all that it takes for you to schedule service. You can call anytime day or night, or schedule a service appointment online.

Sears has over 12,000 professional repair specialists, who have access to over 4.5 million quality parts and accessories. That's the kind of professionalism you can count on to help prolong the life of your new purchase for years to come. Purchase your Repair Protection Agreement today!

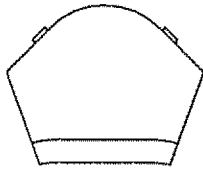
Some limitations and exclusions apply. For prices and additional information call 1-800-827-6655.

SEARS INSTALLATION SERVICE

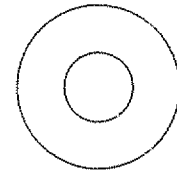
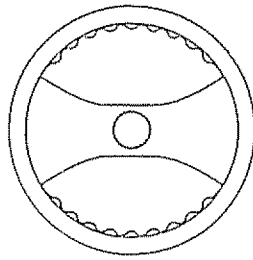
For Sears professional installation of home appliances, garage door openers, water heaters, and other major home items, in the U.S.A. call 1-800-4-MY-HOME®

UNASSEMBLED PARTS

Steering Wheel



Steering Wheel Insert



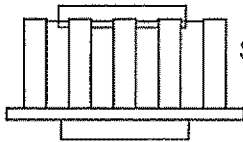
(1) Large Flat Washer



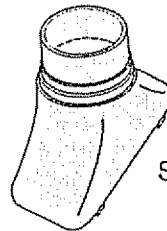
(1) Hex Bolt
5/16-18 x 4



(1) 5/16 Lock Washer



Steering Wheel Adapter

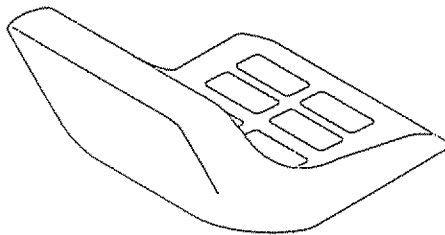


Steering Boot



Steering Extension Shaft

Seat



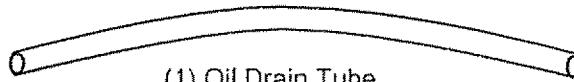
(1) Seat



(1) Washer

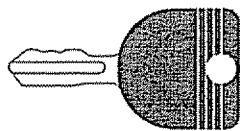


(1) Knob



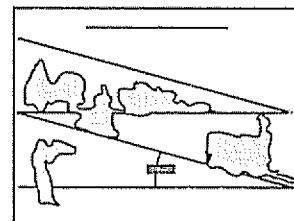
(1) Oil Drain Tube
For Future Use

Keys



(2) Keys

Slope Sheet



ASSEMBLY/PRE-OPERATION

Your new tractor has been assembled at the factory with the exception of those parts left unassembled for shipping purposes. To ensure safe and proper operation of your tractor all parts and hardware you assemble must be tightened securely. Use the correct tools as necessary to insure proper tightness.

TOOLS REQUIRED FOR ASSEMBLY

A socket wrench set will make assembly easier. Standard wrench sizes you need are listed below.

- (1) 3/4" wrench
- (1) Pliers
- (1) 1/2" wrench
- (1) Utility knife
- (1) Tire pressure gauge

When right or left hand is mentioned in this manual, it means when you are in the operating position (seated behind the steering wheel).

TO REMOVE TRACTOR FROM CARTON

UNPACK CARTON

1. Remove all accessible loose parts and parts boxes from carton.
2. Cut along dashed lines on all four panels of carton. Remove end panels and lay side panels flat.
3. Check for any additional loose parts or cartons and remove.

BEFORE REMOVING TRACTOR FROM SKID

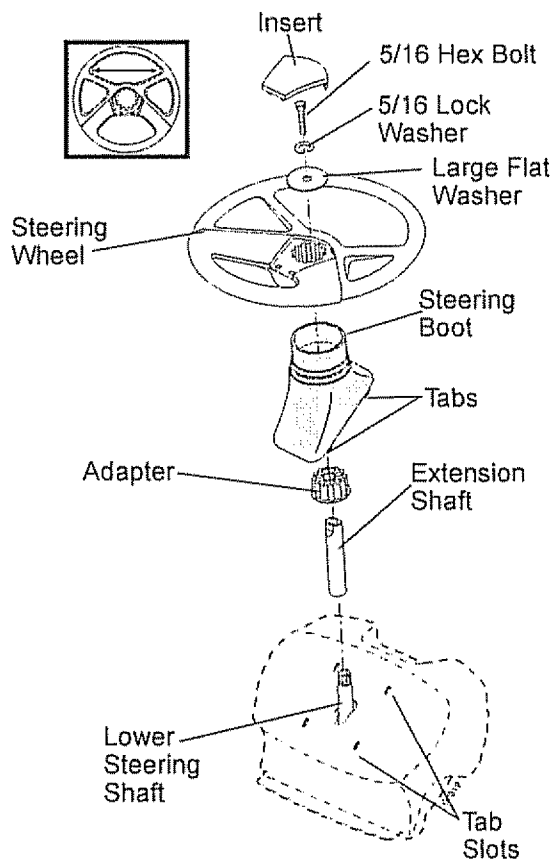
ATTACH STEERING WHEEL

ASSEMBLE EXTENSION SHAFT AND BOOT

1. Slide extension shaft onto lower steering shaft.
2. Place tabs of steering boot over tab slots in dash and push down to secure.

INSTALL STEERING WHEEL

3. Position front wheels of the tractor so they are pointing straight forward.
4. Remove steering wheel adapter from steering wheel and slide adapter onto steering shaft extension.
5. Position steering wheel so cross bars are horizontal (left to right) and slide inside boot and onto adapter.
6. Assemble large flat washer, 5/16 lock washer, 5/16 hex bolt and tighten securely.
7. Snap steering wheel insert into center of steering wheel.
8. Remove protective materials from tractor hood and grill.



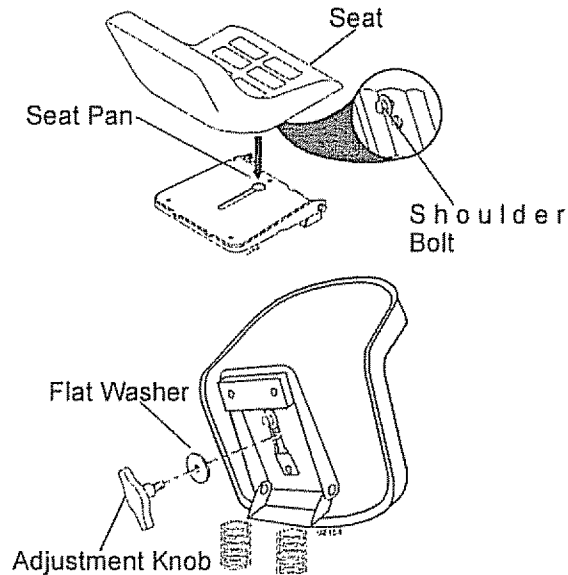
IMPORTANT: Check for and remove any staples in skid that may puncture tires where tractor is to roll off skid.

INSTALL SEAT

Adjust seat before tightening adjustment knob.

1. Remove adjustment knob and flat washer securing seat to cardboard packing and set aside for assembly of seat to tractor.
2. Pivot seat upward and remove from the cardboard packing. Remove the cardboard packing and discard.
3. Place seat on seat pan so head of shoulder bolt is positioned over large slotted hole in pan.
4. Push down on seat to engage shoulder bolt in slot and pull seat towards rear of tractor.
5. Pivot seat and pan forward and assemble adjustment knob and flat washer loosely. Do not tighten.

6. Lower seat into operating position and sit in seat.
7. Slide seat until a comfortable position is reached which allows you to press clutch/brake pedal all the way down.
8. Get off seat without moving its adjusted position.
9. Raise seat and tighten adjustment knob securely



NOTE: You may now roll your tractor off the skid. Follow the appropriate instruction below to remove the tractor from the skid.

⚠ WARNING: Before starting, read, understand and follow all instructions in the Operation section of this manual. Be sure tractor is in a well-ventilated area. Be sure the area in front of tractor is clear of other people and objects.

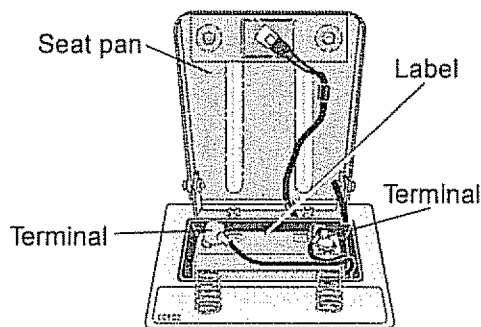
TO ROLL TRACTOR OFF SKID

(See Operation section for location and function of controls)

1. Press lift lever plunger and raise attachment lift lever to its highest position.
2. Release parking brake by depressing clutch/brake pedal.
3. Place gearshift lever in neutral (N) position.
4. Roll tractor forward off skid.
5. Remove banding holding the deflector shield up against tractor.

CHECK BATTERY

1. Lift seat pan to raised position.
- NOTE:** If this battery is put into service after month and year indicated on label (label located between terminals) charge battery for minimum of one hour at 6-10 amps. (See "BATTERY" in Maintenance section of this manual for charging instructions).



CHECK TIRE PRESSURE

The tires on your tractor were overinflated at the factory for shipping purposes. Correct tire pressure is important for best cutting performance.

- Reduce tire pressure to PSI shown on tires.

CHECK DECK LEVELNESS

For best cutting results, mower housing should be properly leveled. See "TO LEVEL MOWER HOUSING" in the Service and Adjustments section of this manual.

CHECK FOR PROPER POSITION OF ALL BELTS

See the figures that are shown for replacing motion and mower blade drive belts in the Service and Adjustments section of this manual. Verify that the belts are routed correctly.

CHECK BRAKE SYSTEM

After you learn how to operate your tractor, check to see that the brake is operating properly. See "TO CHECK BRAKE" in the Service and Adjustments section of this manual.

✓CHECKLIST

Before you operate and enjoy your new tractor, we wish to assure that you receive the best performance and satisfaction from this Quality Product.

Please review the following checklist:

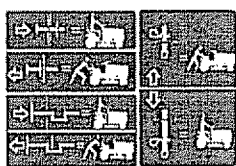
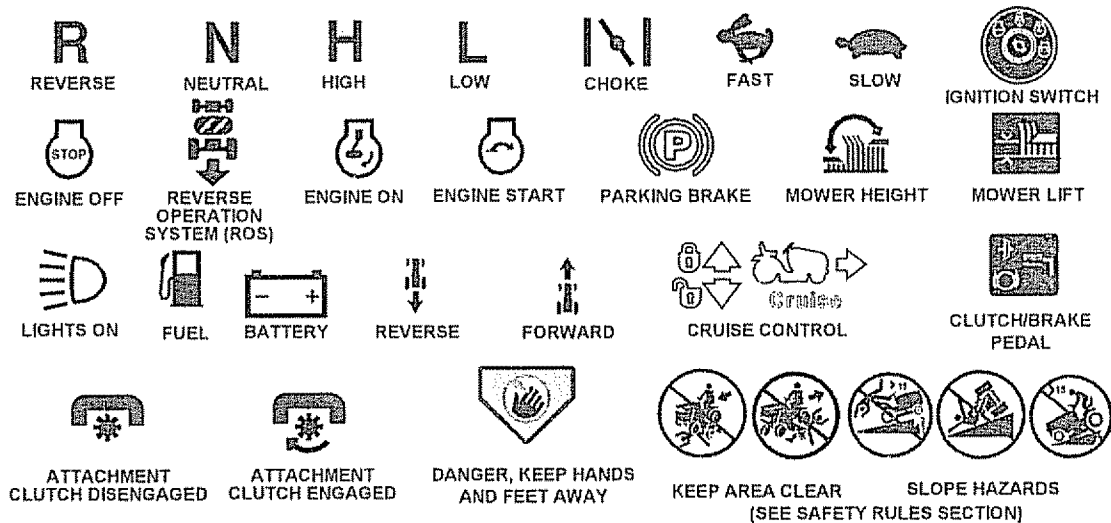
- ✓ All assembly instructions have been completed.
- ✓ No remaining loose parts in carton.
- ✓ Battery is properly prepared and charged.
- ✓ Seat is adjusted comfortably and tightened securely.
- ✓ All tires are properly inflated. (For shipping purposes, the tires were overinflated at the factory).
- ✓ Be sure mower deck is properly leveled side-to-side/front-to-rear for best cutting results. (Tires must be properly inflated for leveling).
- ✓ Check mower and drive belts. Be sure they are routed properly around pulleys and inside all belt keepers.
- ✓ Check wiring. See that all connections are still secure and wires are properly clamped.

While learning how to use your tractor, pay extra attention to the following important items.

- ✓ Engine oil is at proper level.
- ✓ Fuel tank is filled with fresh, clean, regular unleaded gasoline.
- ✓ Become familiar with all controls - their location and function. Operate them before you start the engine.
- ✓ Be sure brake system is in safe operating condition.
- ✓ Be sure Operator Presence System and Reverse Operation System (ROS) are working properly (See the Operation and Maintenance sections in this manual).

OPERATION

These symbols may appear on your tractor or in literature supplied with the product. Learn and understand their meaning.



FREE WHEEL
(Automatic Models only)



Failure to follow instructions could result in serious injury or death. The safety alert symbol is used to identify safety information about hazards which can result in death, serious injury and/or property damage.



DANGER indicates a hazard which, if not avoided, will result in death or serious injury.



WARNING indicates a hazard which, if not avoided, could result in death or serious injury.



CAUTION indicates a hazard which, if not avoided, might result in minor or moderate injury.

CAUTION when used without the alert symbol, indicates a situation that could result in damage to the tractor and/or engine.



HOT SURFACES indicates a hazard which, if not avoided, could result in death, serious injury and/or property damage.

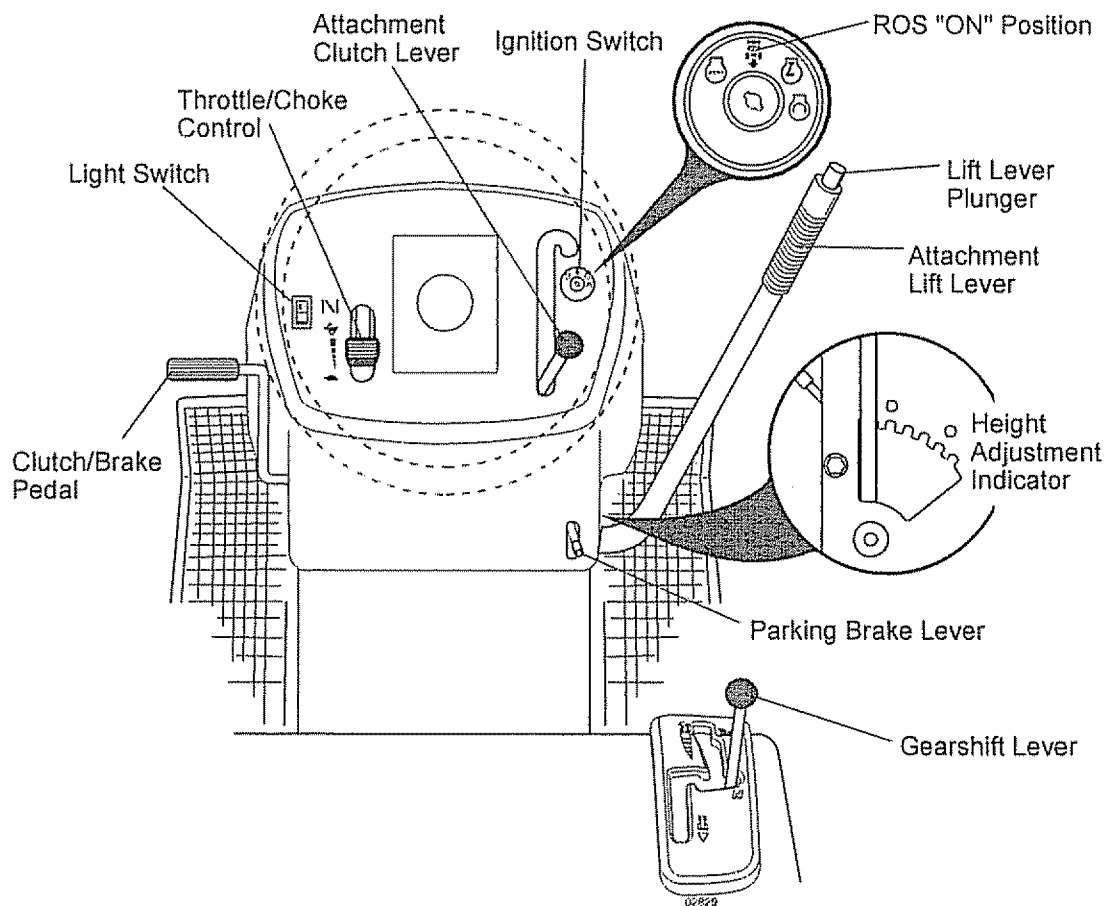


FIRE indicates a hazard which, if not avoided, could result in death, serious injury and/or property damage.

KNOW YOUR TRACTOR

READ THIS OWNER'S MANUAL AND SAFETY RULES BEFORE OPERATING YOUR TRACTOR

Compare the illustrations with your tractor to familiarize yourself with the locations of various controls and adjustments. Save this manual for future reference.



Our tractors conform to the applicable safety standards of the American National Standards Institute.

ATTACHMENT CLUTCH LEVER - Used to engage the mower blades, or other attachments mounted to your tractor.

ATTACHMENT LIFT LEVER - Used to raise, lower, and adjust the mower deck or other attachments mounted to your tractor.

CLUTCH/BRAKE PEDAL - Used for de-clutching and braking the tractor and starting the engine.

GEARSHIFT LEVER - Selects the speed and direction of tractor.

IGNITION SWITCH - Used for starting and stopping the engine.

LIFT LEVER PLUNGER - Used to release attachment lift lever when changing its position.

LIGHT SWITCH - Turns the headlights on and off.

PARKING BRAKE LEVER - Locks clutch/brake pedal into the brake position.

THROTTLE/CHOKE CONTROL - Used for starting and controlling engine speed.

REVERSE OPERATION SYSTEM (ROS) "ON" POSITION - Allows operation of mower deck or other powered attachment while in reverse.

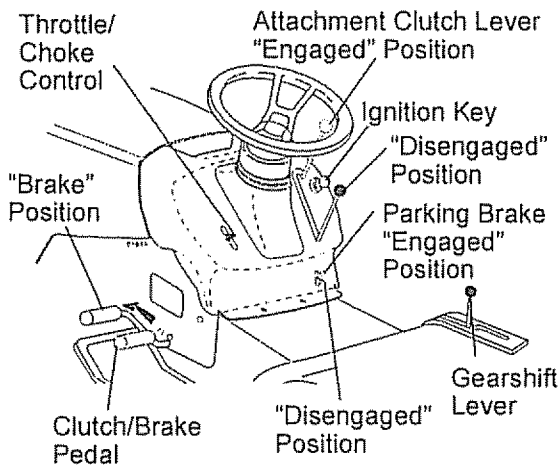


The operation of any tractor can result in foreign objects thrown into the eyes, which can result in severe eye damage. Always wear safety glasses or eye shields while operating your tractor or performing any adjustments or repairs. We recommend a wide vision safety mask over spectacles or standard safety glasses.

HOW TO USE YOUR TRACTOR TO SET PARKING BRAKE

Your tractor is equipped with an operator presence sensing switch. When engine is running, any attempt by the operator to leave the seat without first setting the parking brake will shut off the engine.

1. Depress clutch/brake pedal all the way down and hold.
2. Pull parking brake lever up and release pressure from clutch/brake pedal. Pedal should remain in brake position. Make sure parking brake will hold tractor secure.



STOPPING

MOWER BLADES -

- To stop mower blades, move attachment clutch lever to disengaged position.

GROUND DRIVE -

- To stop ground drive, depress clutch/brake pedal all the way down.
- Move gearshift lever to neutral (N) position.

ENGINE -

- Move throttle control between half and full speed (fast) position.

NOTE: Failure to move throttle control between half and full speed (fast) position, before stopping, may cause engine to "backfire".

- Turn ignition key to "STOP" position and remove key. Always remove key when leaving tractor to prevent unauthorized use.
- Never use choke to stop engine.

IMPORTANT: Leaving the ignition switch in any position other than "STOP" will cause the battery to discharge and go dead.

NOTE: Under certain conditions when tractor is standing idle with the engine running, hot engine exhaust gases may cause "browning" of grass. To eliminate this possibility, always stop engine when stopping tractor on grass areas.

CAUTION: Always stop tractor completely, as described above, before leaving the operator's position.

TO USE THROTTLE CONTROL

Always operate engine at full speed (fast).

- Operating engine at less than full speed (fast) reduces engine's operating efficiency.
- Full speed (fast) offers the best mower performance.

TO MOVE FORWARD AND BACKWARD

The direction and speed of movement is controlled by the gearshift lever.

1. Start tractor with clutch/brake pedal depressed and gearshift lever in neutral (N) position.
2. Move gearshift lever to desired position.
3. Slowly release clutch/brake pedal to start movement.

IMPORTANT: Bring tractor to a complete stop before shifting or changing gears. Failure to do so will shorten the useful life of your transaxle.

TO ADJUST MOWER CUTTING HEIGHT

The position of the attachment lift lever determines the cutting height.

- Grasp lift lever.
- Press plunger with thumb and move lever to desired position.

The cutting height range is approximately 1-1/2 to 4". The heights are measured from the ground to the blade tip with the engine not running. These heights are approximate and may vary depending upon soil conditions, height of grass and types of grass being mowed.

- The average lawn should be cut to approximately 2-1/2 inches during the cool season and to over 3 inches during hot months. For healthier and better looking lawns, mow often and after moderate growth.
- For best cutting performance, grass over 6 inches in height should be mowed twice. Make the first cut relatively high; the second to desired height.

TO OPERATE MOWER

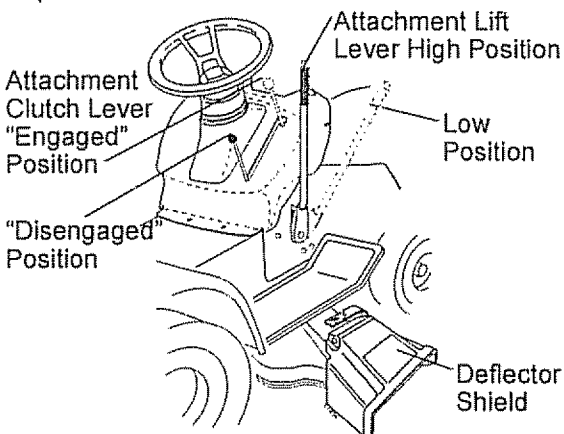
Your tractor is equipped with an operator presence sensing switch. Any attempt by the operator to leave the seat with the engine running and the attachment clutch engaged will shut off the engine. You must remain fully and centrally positioned in the seat to prevent the engine from hesitating or cutting off when operating your equipment on rough, rolling terrain or hills.

1. Select desired height of cut.
2. Start mower blades by engaging attachment clutch control.

TO STOP MOWER BLADES -

disengage attachment clutch control.

CAUTION: Do not operate the mower without either the entire grass catcher, on mowers so equipped, or the deflector shield in place.



OPERATING IN REVERSE

Your tractor is equipped with a Reverse Operation System (ROS). Any attempt by the operator to travel in the reverse direction with the attachment clutch engaged will shut off the engine unless the ignition key is placed in the ROS "ON" position.

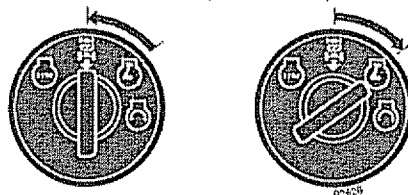
WARNING: Backing up with the attachment clutch engaged while mowing is strongly discouraged. Turning the ROS "ON", to allow reverse operation with the attachment clutch engaged, should only be done when the operator decides it is necessary to reposition the machine with the attachment engaged. **Do not mow in reverse unless absolutely necessary.**

USING THE REVERSE OPERATION SYSTEM -

1. Depress clutch/brake pedal all the way down and hold.
2. With engine running, turn ignition key counterclockwise to ROS "ON" position.
3. Look down and behind before and while backing up.
4. Move gear shift lever to reverse (R) position and slowly release clutch/brake pedal to start movement.
5. When use of the ROS is no longer needed, turn the ignition key clockwise to engine "ON" position.

ROS "ON" Position

Engine "ON" Position (Normal Operating)



TO OPERATE ON HILLS

WARNING: Do not drive up or down hills with slopes greater than 15° and do not drive across any slope. Use the slope guide at the back of this manual.

- Choose the slowest speed before starting up or down hills.
- Avoid stopping or changing speed on hills.
- If stopping is absolutely necessary, push clutch/brake pedal quickly to brake position and engage parking brake.
- Move gearshift lever to 1st gear. Be sure you have allowed room for tractor to roll slightly as you restart movement.
- To restart movement, slowly release parking brake and clutch/brake pedal.
- Make all turns slowly.

TO TRANSPORT

- Raise attachment lift to highest position with attachment lift control.
- When pushing or towing your tractor, be sure gearshift lever is in neutral (N) position.
- Do not push or tow tractor at more than five (5) MPH.

NOTE: To protect hood from damage when transporting your tractor on a truck or a trailer, be sure hood is closed and secured to tractor. Use an appropriate means of tying hood to tractor (rope, cord, etc.).

TOWING CARTS AND OTHER ATTACHMENTS

Tow only the attachments that are recommended by and comply with specifications of the manufacturer of your tractor. Use common sense when towing. Too heavy of a load, while on a slope, is dangerous. Tires can lose traction with the ground and cause you to lose control of your tractor.

BEFORE STARTING THE ENGINE


CHECK ENGINE OIL LEVEL

The engine in your tractor has been shipped, from the factory, already filled with summer weight oil.

1. Check engine oil with tractor on level ground.
 2. Remove oil fill cap/dipstick and wipe clean, reinsert the dipstick and screw cap tight, wait for a few seconds, remove and read oil level. If necessary, add oil until "FULL" mark on dipstick is reached. Do not overfill.
- For cold weather operation you should change oil for easier starting (See the oil viscosity chart in the Maintenance section of this manual).
 - To change engine oil, see the Maintenance section in this manual.

ADD GASOLINE

- Fill fuel tank to bottom of filler neck. Do not overfill. Use fresh, clean, regular unleaded gasoline with a minimum of 87 octane. (Use of leaded gasoline will increase carbon and lead oxide deposits and reduce valve life). Do not mix oil with gasoline. Purchase fuel in quantities that can be used within 30 days to assure fuel freshness.

 **CAUTION:** Wipe off any spilled oil or fuel. Do not store, spill or use gasoline near an open flame.

IMPORTANT: When operating in temperatures below 32°F(0°C), use fresh, clean winter grade gasoline to help insure good cold weather starting.

CAUTION. Alcohol blended fuels (called gasohol or using ethanol or methanol) can attract moisture which leads to separation and formation of acids during storage. Acidic gas can damage the fuel system of an engine while in storage. To avoid engine problems, the fuel system should be emptied before storage of 30 days or longer. Drain the gas tank, start the engine and let it run until the fuel lines and carburetor are empty. Use fresh fuel next season. See Storage Instructions for additional information. Never use engine or carburetor cleaner products in the fuel tank or permanent damage may occur.

TO START ENGINE

When starting the engine for the first time or if the engine has run out of fuel, it will take extra cranking time to move fuel from the tank to the engine.

1. Sit on seat in operating position, depress clutch/brake pedal and set parking brake.
2. Place gear shift lever in neutral (N) position.
3. Move attachment clutch to disengaged position.
4. Move throttle control to choke position.

NOTE: Before starting, read the warm and cold starting procedures below.

5. Insert key into ignition and turn key clockwise to start position and release key as soon as engine starts. Do not run starter continuously for more than fifteen seconds per minute. If the engine does not start after several attempts, move throttle control to fast position, wait a few minutes and try again. If engine still does not start, move the throttle control back to the choke position and retry.

WARM WEATHER STARTING (50° F and above)

6. When engine starts, move the throttle control to the fast position.
- The attachments and ground drive can now be used. If the engine does not accept the load, restart the engine and allow it to warm up for one minute using the choke as described above.

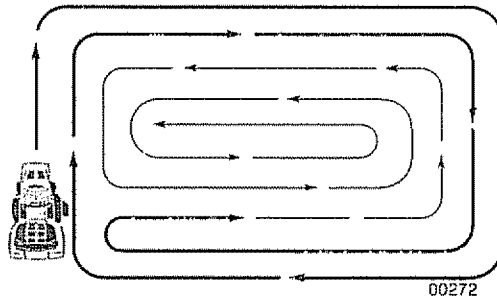
COLD WEATHER STARTING (50° F and below)

- When engine starts, leave throttle control in choke position until engine warms up and begins to run roughly. Once rough running begins, immediately move the throttle control to the fast position. Engine warm-up may take from several seconds to several minutes (the colder the temperature, the longer the warm-up).
- The attachments can also be used during the engine warm-up period.

NOTE: If at a high altitude (above 3000 feet) or in cold temperatures (below 32 F) the carburetor fuel mixture may need to be adjusted for best engine performance (see "TO ADJUST CARBURETOR" in the Service and Adjustments section of this manual).

MOWING TIPS

- Mower should be properly leveled for best mowing performance. See "TO LEVEL MOWER HOUSING" in the Service and Adjustments section of this manual.
- The left hand side of mower should be used for trimming.
- Drive so that clippings are discharged onto the area that has already been cut. Have the cut area to the right of the tractor. This will result in a more even distribution of clippings and more uniform cutting.
- When mowing large areas, start by turning to the right so that clippings will discharge away from shrubs, fences, driveways, etc. After one or two rounds, mow in the opposite direction making left hand turns until finished.



- If grass is extremely tall, it should be mowed twice to reduce load and possible fire hazard from dried clippings. Make first cut relatively high, the second to the desired height.
- Do not mow grass when it is wet. Wet grass will plug mower and leave undesirable clumps. Allow grass to dry before mowing.
- Always operate engine at full throttle when mowing to assure better mowing performance and proper discharge of material.** Regulate ground speed by selecting a low enough gear to give the mower cutting performance as well as the quality of cut desired.
- When operating attachments, select a ground speed that will suit the terrain and give best performance of the attachment being used.

MAINTENANCE

MAINTENANCE SCHEDULE		BEFORE EACH USE	EVERY 0 HOURS	EVERY 25 HOURS	EVERY 50 HOURS	EVERY 100 HOURS	EVERY SEASON	BEFORE STORAGE
TRACTOR	Check Brake Operation	✓	✓					
	Check Tire Pressure	✓	✓					
	Check Operator Presence & ROS Systems	✓						
	Check for Loose Fasteners	✓				✓		✓
	Check/Replace Mower Blades			✓ ₃				
	Lubrication Chart			✓				✓
	Check Battery Level			✓ ₄				
	Clean Battery and Terminals			✓				✓
	Check Transaxle Cooling			✓				
	Check Mower Levelness				✓			
	Check V-Belts					✓		
ENGINE	Check Engine Oil Level	✓	✓					
	Change Engine Oil (with oil filter)				✓ _{1,2}			✓
	Change Engine Oil (without oil filter)			✓ _{1,2}				✓
	Clean Air Filter			✓ ₂				
	Clean Air Screen			✓ ₂				
	Inspect Muffler/Spark Arrester				✓			
	Replace Oil Filter (if equipped)					✓ _{1,2}		
	Clean Engine Cooling Fins					✓ ₂		
	Replace Spark Plug					✓	✓	
	Replace Air Filter Paper Cartridge					✓ ₂		
	Replace Fuel Filter						✓	

- 1 - Change more often when operating under a heavy load or in high ambient temperatures.
 2 - Service more often when operating in dirty or dusty conditions.

- 3 - Replace blades more often when mowing in sandy soil.
 4 - Not required if equipped with maintenance-free battery.

GENERAL RECOMMENDATIONS

The warranty on this tractor does not cover items that have been subjected to operator abuse or negligence. To receive full value from the warranty, operator must maintain tractor as instructed in this manual.

Some adjustments will need to be made periodically to properly maintain your tractor.

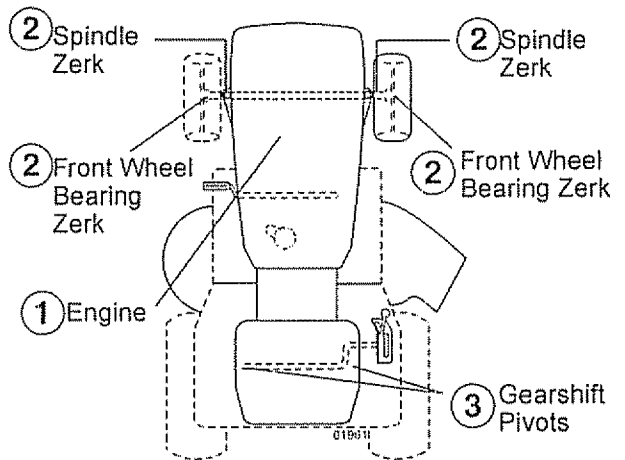
At least once a season, check to see if you should make any of the adjustments described in the Service and Adjustments section of this manual.

- At least once a year you should replace the spark plug, clean or replace air filter, and check blades and belts for wear. A new spark plug and clean air filter assure proper air-fuel mixture and help your engine run better and last longer.

BEFORE EACH USE

- Check engine oil level.
- Check brake operation.
- Check tire pressure.
- Check operator presence and ROS systems for proper operation.
- Check for loose fasteners.

LUBRICATION CHART



- SAE 30 or 10w30 Motor Oil
- General Purpose Grease
- Refer to Maintenance "ENGINE" Section

IMPORTANT: Do not oil or grease the pivot points which have special nylon bearings. Viscous lubricants will attract dust and dirt that will shorten the life of the self-lubricating bearings. If you feel they must be lubricated, use only a dry, powdered graphite type lubricant sparingly.

TRACTOR

Always observe safety rules when performing any maintenance.

BRAKE OPERATION

If tractor requires more than five (5) feet to stop at highest speed in highest gear on a level, dry concrete or paved surface, then brake must be checked and adjusted. (See "TO CHECK BRAKE" in the Service and Adjustments section of this manual).

TIRES

- Maintain proper air pressure in all tires (See sides of tire for proper PSI).
- Keep tires free of gasoline, oil, or insect control chemicals which can harm rubber.
- Avoid stumps, stones, deep ruts, sharp objects and other hazards that may cause tire damage.

NOTE: To seal tire punctures and prevent flat tires due to slow leaks, tire sealant may be purchased from your local parts dealer. Tire sealant also prevents tire dry rot and corrosion.

OPERATOR PRESENCE SYSTEM AND REVERSE OPERATION SYSTEM (ROS)

Be sure operator presence and reverse operation systems are working properly. If your tractor does not function as described, repair the problem immediately.

- The engine should not start unless the brake pedal is fully depressed, and the attachment clutch control is in the disengaged position.

CHECK OPERATOR PRESENCE SYSTEM

- When the engine is running, any attempt by the operator to leave the seat without first setting the parking brake should shut off the engine.
- When the engine is running and the attachment clutch is engaged, any attempt by the operator to leave the seat should shut off the engine.
- The attachment clutch should never operate unless the operator is in the seat.

CHECK REVERSE OPERATION (ROS) SYSTEM

- When the engine is running with the ignition switch in the engine "ON" position and the attachment clutch is engaged, any attempt by the operator to go into reverse should shut off the engine.

ROS "ON" Position



Engine "ON" Position (Normal Operating)



- When the engine is running with the ignition switch in the ROS "ON" position and the attachment clutch is engaged, any attempt by the operator to shift into reverse should NOT shut off the engine.

BLADE CARE

For best results mower blades must be kept sharp. Replace bent or damaged blades.

CAUTION: Use only a replacement blade approved by the manufacturer of your tractor. Using a blade not approved by the manufacturer of your tractor is hazardous, could damage your tractor and void your warranty.

BLADE REMOVAL

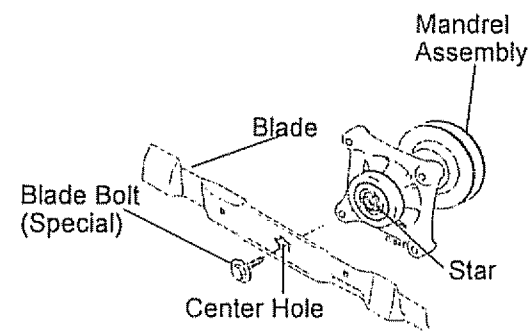
1. Raise mower to highest position to allow access to blades.

NOTE: Protect your hands with gloves and/or wrap blade with heavy cloth.

2. Remove blade bolt by turning counter-clockwise.
3. Install new blade with stamped "THIS SIDE UP" facing deck and mandrel assembly.

IMPORTANT: To ensure proper assembly, center hole in blade must align with star on mandrel assembly.

4. Install and tighten blade bolt securely (45-55 Ft. Lbs. torque).



IMPORTANT. Special blade bolt is heat treated

BATTERY

Your tractor has a battery charging system which is sufficient for normal use. However, periodic charging of the battery with an automotive charger will extend its life.

- Keep battery and terminals clean.
- Keep battery bolts tight.
- Keep small vent holes open.
- Recharge at 6-10 amperes for 1 hour.

NOTE: The original equipment battery on your tractor is maintenance free. Do not attempt to open or remove caps or covers. Adding or checking level of electrolyte is not necessary.

TO CLEAN BATTERY AND TERMINALS

Corrosion and dirt on the battery and terminals can cause the battery to "leak" power.

1. Disconnect BLACK battery cable first then RED battery cable and remove battery from tractor.
2. Rinse the battery with plain water and dry.
3. Clean terminals and battery cable ends with wire brush until bright.
4. Coat terminals with grease or petroleum jelly.
5. Reinstall battery (See "REPLACING BATTERY" in the SERVICE AND ADJUSTMENTS section of this manual).

TRANSAXLE COOLING

Keep transaxle free from build-up of dirt and chaff which can restrict cooling.

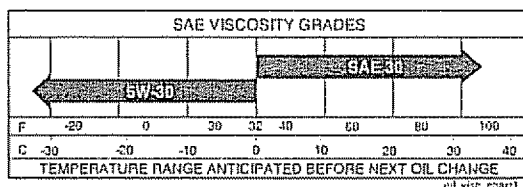
V-BELTS

Check V-belts for deterioration and wear after 100 hours of operation and replace if necessary. The belts are not adjustable. Replace belts if they begin to slip from wear.

ENGINE

LUBRICATION

Only use high quality detergent oil rated with API service classification SG-SL. Select the oil's SAE viscosity grade according to your expected operating temperature.



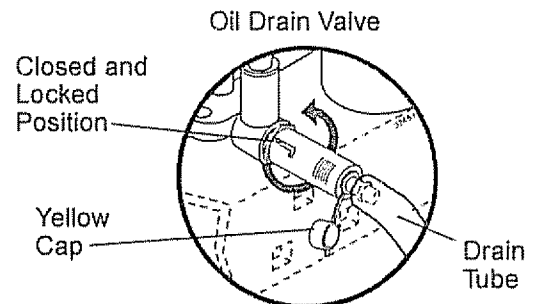
NOTE: Although multi-viscosity oils (5W30, 10W30 etc.) improve starting in cold weather, the oils will result in increased oil consumption when used above 32°F. Check your engine oil level more frequently to avoid possible engine damage from running low on oil. Change the oil after every 50 hours of operation or at least once a year if the tractor is not used for 50 hours in one year.

Check the crankcase oil level before starting the engine and after each eight (8) hours of operation. Tighten oil fill cap/dipstick securely each time you check the oil level.

TO CHANGE ENGINE OIL

Determine temperature range expected before oil change. All oil must meet API service classification SG-SL.

- Be sure tractor is on level surface.
 - Oil will drain more freely when warm.
 - Catch oil in a suitable container.
1. Remove oil fill cap/dipstick. Be careful not to allow dirt to enter the engine when changing oil.
 2. Remove yellow cap from end of drain valve and install the drain tube onto the fitting.



3. Unlock drain valve by pushing inward slightly and turning counterclockwise.
4. To open, pull out on the drain valve.
5. After oil has drained completely, close and lock the drain valve by pushing inward and turning clockwise until the pin is in the locked position as shown.
6. Remove the drain tube and replace the cap onto the end of the drain valve.
7. Refill engine with oil through oil fill dipstick tube. Pour slowly. Do not overfill. For approximate capacity see "PRODUCT SPECIFICATIONS" section of this manual.
8. Use gauge on oil fill cap/dipstick for checking level. For accurate reading, tighten dipstick cap securely onto the tube before removing dipstick. Keep oil at "FULL" line on dipstick. Tighten cap onto the tube securely when finished.

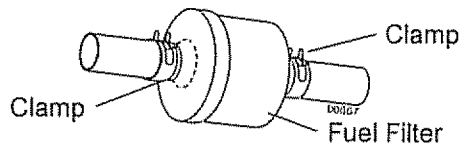
ENGINE OIL FILTER

Replace the engine oil filter every season or every other oil change if the tractor is used more than 100 hours in one year.

IN-LINE FUEL FILTER

The fuel filter should be replaced once each season. If fuel filter becomes clogged, obstructing fuel flow to carburetor, replacement is required.

1. With engine cool, remove filter and plug fuel line sections.
2. Place new fuel filter in position in fuel line with arrow pointing towards carburetor.
3. Be sure there are no fuel line leaks and clamps are properly positioned.
4. Immediately wipe up any spilled gasoline.



AIR FILTER

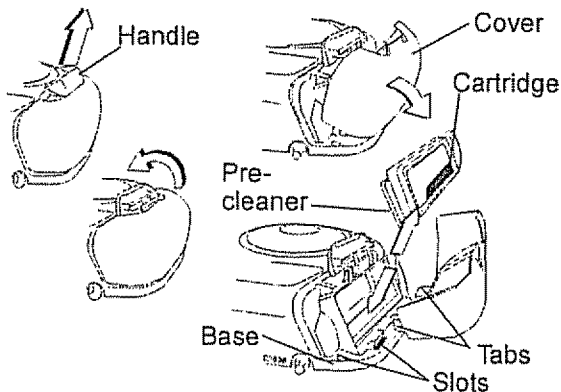
Your engine will not run properly using a dirty air filter. Replace pre-cleaner after every 25 hours of operation or every season. Service paper cartridge every 100 hours of operation or every season, whichever occurs first. Service air cleaner more often under dusty conditions.

1. Pull up on air filter cover handle and rotate towards engine.
2. Remove cover.
3. Carefully remove air filter cartridge and pre-cleaner from base.
4. Clean base carefully to prevent debris from falling into carburetor.

NOTE: If very dirty or damaged, replace cartridge.

5. Place new pre-cleaner and cartridge firmly in base.
6. Align tabs on cover with slots in blower housing and replace cover.
7. Hook handle on cover and push down on handle to close.

IMPORTANT: Petroleum solvents, such as kerosene, are not to be used to clean the cartridge. They may cause deterioration of the cartridge. Do not oil cartridge. Do not use pressurized air to clean cartridge.



CLEANING

- Clean engine, battery, seat, finish, etc. of all foreign matter.
- Keep finished surfaces and wheels free of all gasoline, oil, etc.
- Protect painted surfaces with automotive type wax.

We do not recommend using a garden hose or pressure washer to clean your tractor unless the engine and transmission are covered to keep water out. Water in engine or transmission will shorten the useful life of your tractor. Use compressed air or a leaf blower to remove grass, leaves and trash from tractor and mower.

MUFFLER

Inspect and replace corroded muffler and spark arrester (if equipped) as it could create a fire hazard and/or damage.

SPARK PLUG(S)

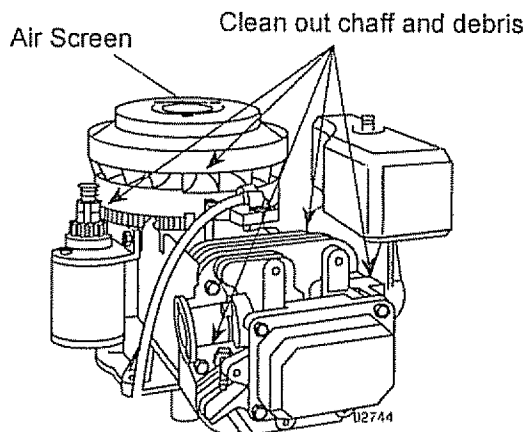
Replace spark plug(s) at the beginning of each mowing season or after every 100 hours of operation, whichever occurs first. Spark plug type and gap setting are shown in "PRODUCT SPECIFICATIONS" section of this manual.

CLEAN AIR SCREEN

Air screen must be kept free of dirt and chaff to prevent engine damage from overheating. Clean with a wire brush or compressed air to remove dirt and stubborn dried gum fibers.

ENGINE COOLING SYSTEM

Debris may clog the engine's air cooling system. Remove blower housing and clean area shown to prevent overheating and engine damage.



SERVICE AND ADJUSTMENTS



WARNING: TO AVOID SERIOUS INJURY, BEFORE PERFORMING ANY SERVICE OR ADJUSTMENTS:

1. Depress clutch/brake pedal fully and set parking brake.
2. Place gearshift lever in neutral (N) position.
3. Place attachment clutch in "DISENGAGED" position.
4. Turn ignition key to "STOP" and remove key.
5. Make sure the blades and all moving parts have completely stopped
6. Disconnect spark plug wire from spark plug and place wire where it cannot come in contact with plug.

TRACTOR

TO REMOVE MOWER

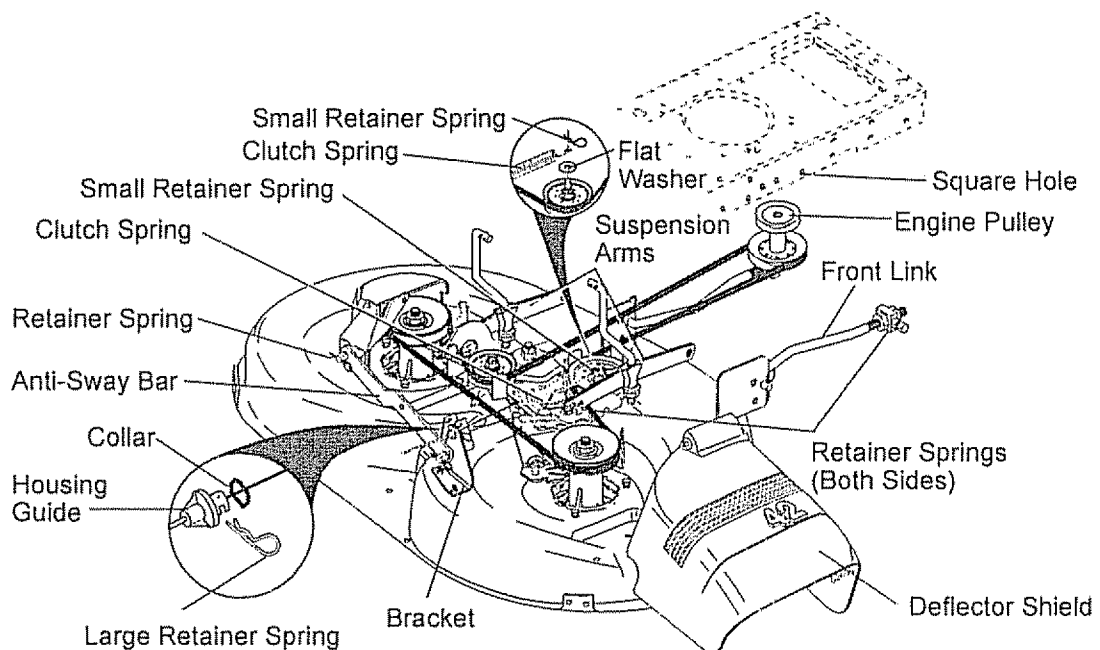
Mower will be easier to remove from the right side of tractor.

1. Place attachment clutch in "DISENGAGED" position.
2. Move attachment lift lever forward to lower mower to its lowest position.
3. Roll belt off engine pulley.
4. Remove small retainer spring, and remove clutch spring off pulley bolt.
5. Remove large retainer spring, slide collar off and push housing guide out of bracket.
6. Disconnect anti-sway bar from chassis bracket by removing retainer spring.
7. Disconnect suspension arms from rear deck brackets by removing retainer springs.
8. Disconnect front links from deck by removing retainer springs.
9. Raise lift lever to raise suspension arms. Slide mower out from under tractor.

IMPORTANT: If an attachment other than the mower deck is to be mounted on the tractor, remove the front links and hook the clutch spring into square hole in frame.

TO INSTALL MOWER

1. Raise attachment lift lever to its highest position.
2. Slide mower under tractor with deflector shield to right side of tractor.
3. Lower lift lever to its lowest position.
4. Connect front links to mower deck and secure with retainer springs.
5. Connect suspension arms to rear deck brackets and secure with retainer springs.
6. Connect anti-sway bar to chassis bracket and secure with retainer spring.
7. Push clutch cable housing guide into bracket, slide collar onto guide and secure with large retainer spring.
8. Place flat washer and clutch spring on idler pulley bolt and secure with small retainer spring.
9. Install belt onto engine pulley.



TO LEVEL MOWER HOUSING

Adjust the mower while tractor is parked on level ground or driveway. Make sure tires are properly inflated (See side of tire for proper PSI). If tires are over or underinflated, you will not properly adjust your mower.

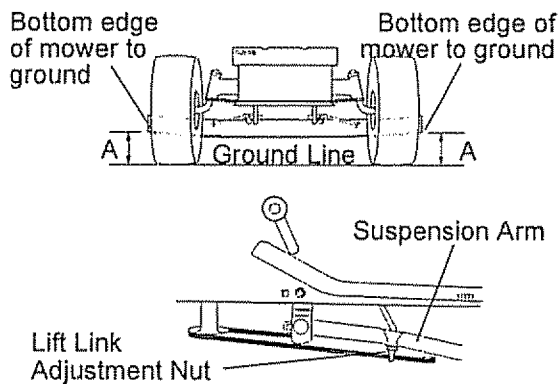
SIDE-TO-SIDE ADJUSTMENT

- Raise mower to its highest position.
- At the midpoint of both sides of mower, measure height from bottom edge of mower to ground. Distance "A" on both sides of mower should be the same or within 1/4" of each other.
- If adjustment is necessary, make adjustment on one side of mower only.
- To raise one side of mower, tighten lift link adjustment nut on that side.
- To lower one side of mower, loosen lift link adjustment nut on that side.

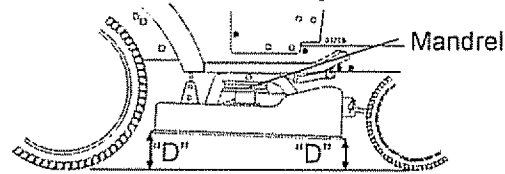
NOTE: Each full turn of adjustment nut will change mower height about 1/8".

- Recheck measurements after adjusting.

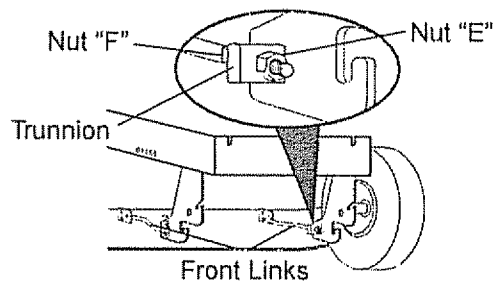
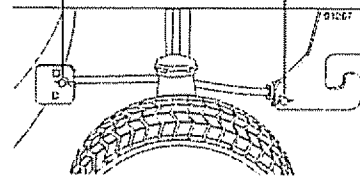
FRONT-TO-BACK ADJUSTMENT



- To raise front of mower, loosen nut "F" from trunnion on both front links. Tighten nut "E" on both front links an equal number of turns. The two front links must remain equal in length.
- When distance "D" is 1/8" to 1/2" lower at front than rear, tighten nut "F" against trunnion on both front links.
- Recheck side-to-side adjustment.



Both Front Links Should be Equal in Length



IMPORTANT: Deck must be level side-to-side. If the following front-to-back adjustment is necessary, be sure to adjust both front links equally so mower will stay level side-to-side.

To obtain the best cutting results, the mower housing should be adjusted so that the front is approximately 1/8" to 1/2" lower than the rear when the mower is in its highest position. Check adjustment on right side of tractor. Measure distance "D" directly in front and behind the mandrel at bottom edge of mower housing as shown.

- Before making any necessary adjustments, check that both front links are equal in length.
- If links are not equal in length, adjust one link to same length as other link.
- To lower front of mower loosen nut "E" on both front links an equal number of turns.
- When distance "D" is 1/8" to 1/2" lower at front than rear, tighten nuts "F" against trunnion on both front links.

TO REPLACE MOWER BLADE DRIVE BELT

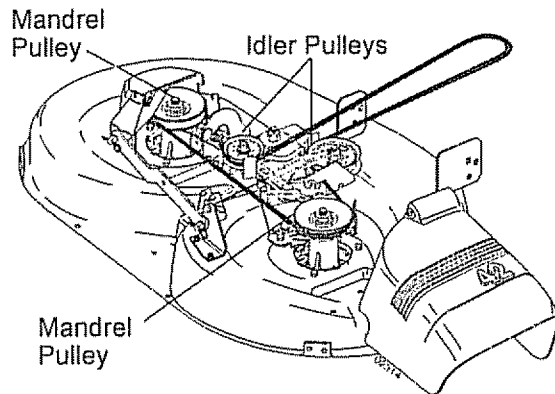
The mower blade drive belt may be replaced without tools. Park the tractor on level surface. Engage parking brake.

BELT REMOVAL -

1. Remove mower from tractor (See "TO REMOVE MOWER" in this section of manual).
2. Work belt off both mandrel pulleys and idler pulleys.
3. Pull belt away from mower.

BELT INSTALLATION -

1. Work belt around both mandrel pulleys and idler pulleys
2. Make sure belt is in all pulley grooves and inside all belt guides.
3. Install mower (See "To Install Mower" in this section of this manual).



TO CHECK BRAKE

If tractor requires more than five (5) feet to stop at highest speed in highest gear on a level, dry concrete or paved surface, then brake must be serviced.

You may also check brake by:

1. Park tractor on a level, dry concrete or paved surface, depress clutch/brake pedal all the way down and engage parking brake.
2. Place gear shift lever in neutral position. The rear wheels must lock and skid when you try to manually push the tractor forward. If the rear wheels rotate, then the brake needs to be serviced. Contact a Sears or other qualified service center.

TO REPLACE MOTION DRIVE BELT

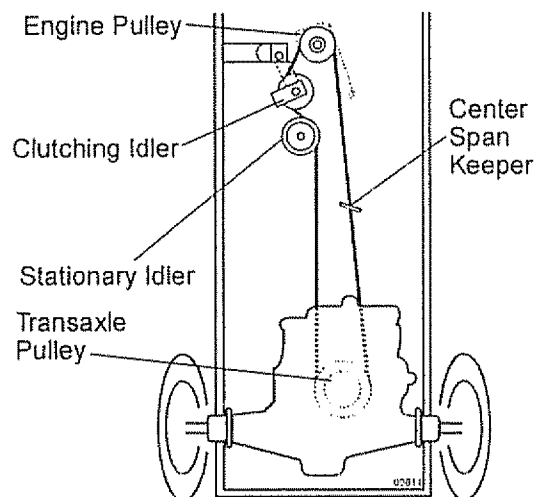
Park the tractor on level surface. Engage parking brake. For assistance, there is a belt installation guide decal on bottom side of left footrest.

BELT REMOVAL -

1. Remove mower (See "TO REMOVE MOWER" in this section of manual).
- NOTE:** Observe entire motion drive belt and position of all belt guides and keepers.
2. Remove belt from stationary idler and clutching idler.
 3. Remove belt downward from around engine pulley.
 4. Pull belt slack toward rear of tractor. Remove belt upwards from transaxle pulley by deflecting belt keepers.
 5. Remove belt from center span keeper and pull belt away from tractor.

BELT INSTALLATION -

1. Carefully work new belt down between transaxle belt keepers and onto the input pulley.
2. Slide belt into the center span keeper.
3. Pull belt toward front of tractor and roll around the top groove of engine pulley.
4. Install belt through stationary idler and clutching idler.
5. Make sure belt is in all pulley grooves and inside all belt guides and keepers.
6. Install mower (See "TO INSTALL MOWER" in this section of manual).

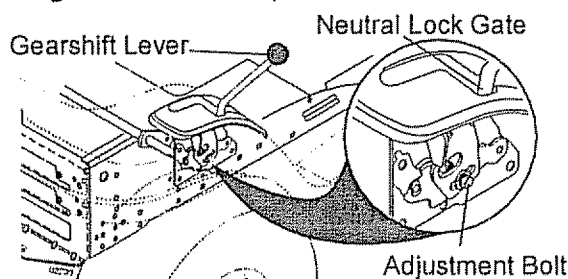


TRANSAXLE GEAR SHIFT LEVER NEUTRAL ADJUSTMENT

The transaxle should be in neutral when the gear shift lever is in neutral (N) (lock gate) position. The adjustment is preset at the factory; however, if adjustment is needed, proceed as follows:

1. Make sure transaxle is in neutral (N).
- NOTE:** When the tractor rear wheels move freely, the transaxle is in neutral.
2. Loosen adjustment bolt in front of the right rear wheel.
3. Position the gear shift lever in the neutral (N) position.
4. Tighten adjustment bolt securely.

NOTE: If additional clearance is needed to get to adjustment bolt, move mower deck height to the lowest position.



TO ADJUST STEERING WHEEL ALIGNMENT

If steering wheel crossbars are not horizontal (left to right) when wheels are positioned straight forward, remove steering wheel and reassemble with crossbars horizontal. Tighten securely.

FRONT WHEEL TOE-IN/CAMBER

The front wheel toe-in and camber are not adjustable on your tractor. If damage has occurred to affect the front wheel toe-in or camber, contact a Sears or other qualified service center.

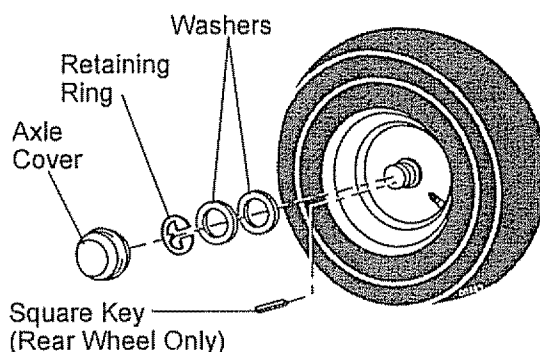
TO REMOVE WHEEL FOR REPAIRS

1. Block up axle securely.
2. Remove axle cover, retaining ring and washers to allow wheel removal (rear wheels have a square key - Do not lose).
3. Repair tire and reassemble.

NOTE: On rear wheels only, align grooves in rear wheel hub and axle. Insert square key.

4. Replace washers and snap retaining ring securely in axle groove.
5. Replace axle cover.

NOTE: To seal tire punctures and prevent flat tires due to slow leaks, purchase and use tire sealant from Sears. Tire sealant also prevents tire dry rot and corrosion.



TO START ENGINE WITH A WEAK BATTERY

WARNING: Lead-acid batteries generate explosive gases. Keep sparks, flame and smoking materials away from batteries. Always wear eye protection when around batteries.

If your battery is too weak to start the engine, it should be recharged. (See "BATTERY" in the MAINTENANCE section of this manual).

If "jumper cables" are used for emergency starting, follow this procedure:

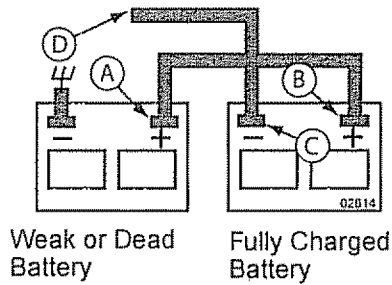
IMPORTANT: Your tractor is equipped with a 12 volt system. The other vehicle must also be a 12 volt system. Do not use your tractor battery to start other vehicles.

TO ATTACH JUMPER CABLES -

1. Connect one end of the RED cable to the POSITIVE (+) terminal of each battery (A-B), taking care not to short against tractor chassis.
2. Connect one end of the BLACK cable to the NEGATIVE (-) terminal (C) of fully charged battery.
3. Connect the other end of the BLACK cable (D) to good chassis ground, away from fuel tank and battery.

TO REMOVE CABLES, REVERSE ORDER -

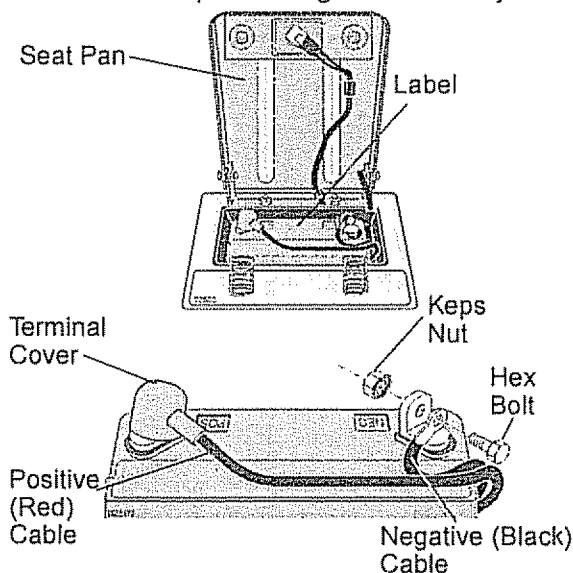
1. BLACK cable first from chassis and then from the fully charged battery.
2. RED cable last from both batteries.



REPLACING BATTERY

⚠WARNING: Do not short battery terminals by allowing a wrench or any other object to contact both terminals at the same time. Before connecting battery, remove metal bracelets, wristwatch bands, rings, etc. Positive terminal must be connected first to prevent sparking from accidental grounding.

1. Lift seat pan to raised position.
2. Disconnect BLACK battery cable first then RED battery cable and carefully remove battery from tractor.
3. Install new battery with terminals in same position as old battery.
4. First connect RED battery cable to positive (+) terminal with hex bolt and keps nut as shown. Tighten securely. Slide terminal cover over terminal.
5. Connect BLACK grounding cable to negative (-) terminal with remaining hex bolt and keps nut. Tighten securely.



TO REPLACE HEADLIGHT BULB

1. Raise hood
2. Pull bulb holder out of the hole in the backside of the grill.

3. Replace bulb in holder and push bulb holder securely back into the hole in the backside of the grill.
4. Close hood.

INTERLOCKS AND RELAYS

Loose or damaged wiring may cause your tractor to run poorly, stop running, or prevent it from starting

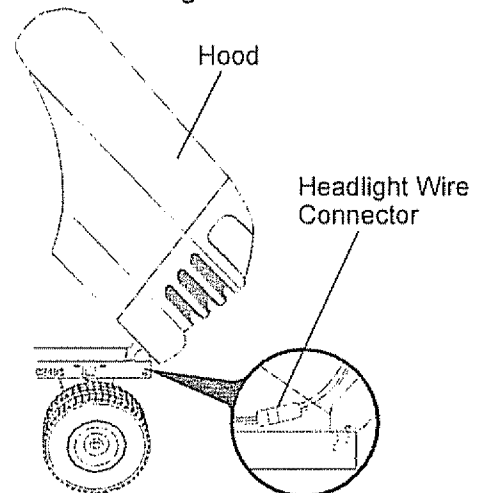
- Check wiring. See electrical wiring diagram in the Repair Parts section.

TO REPLACE FUSE

Replace with 20 amp automotive-type plug-in fuse. The fuse holder is located behind the dash.

TO REMOVE HOOD AND GRILL ASSEMBLY

1. Raise hood.
2. Unsnap headlight wire connector.
3. Stand in front of tractor. Grasp hood at sides, tilt toward engine and lift off of tractor.
4. When replacing hood, be sure to reconnect the headlight wire connector.



ENGINE

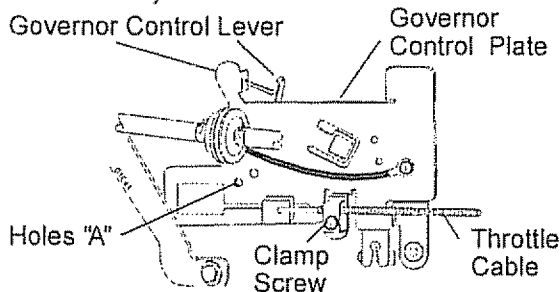
Maintenance, repair, or replacement of the emission control devices and systems, which are being done at the customer's expense, may be performed by any non-road engine repair establishment or individual. Warranty repairs must be performed by an authorized engine manufacturer's service outlet.

TO ADJUST THROTTLE CONTROL CABLE

The throttle control has been preset at the factory and adjustment should not be necessary. Check adjustment as described below before loosening cable. If adjustment is necessary, proceed as follows:

1. With engine not running, move throttle control lever from slow to choke position. Slowly move lever from choke to fast position.

2. Check that holes "A" in governor control lever and hole in governor plate line-up. If holes "A" are not aligned, loosen clamp screw and move throttle cable until holes are aligned. Tighten clamp screw securely.



TO ADJUST CARBURETOR

NOTE: The carburetor on this engine is low emission. It is equipped with an idle fuel adjusting needle with a limiter cap, which allows some adjustment within the limits allowed by the cap. Do not attempt to remove the limiter cap. The limiter cap cannot be removed without breaking the adjusting needle.

The carburetor has been preset at the factory and adjustment should not be necessary. However, minor adjustment may be required to compensate for differences in fuel, temperature, altitude or load. If the carburetor does need adjustment, proceed as follows.

In general, turning idle mixture valve **in** (clockwise) decreases the supply of fuel to the engine giving a leaner fuel/air mixture. Turning the idle mixture valve **out** (counterclockwise) increases the supply of fuel to the engine giving a richer fuel/air mixture.

IMPORTANT: Damage to the needle valve and the seat in carburetor may result if screw is turned in too tight.

PRELIMINARY SETTING -

1. Air cleaner assembly must be assembled to the carburetor when making carburetor adjustments.
2. Be sure the throttle control cable is adjusted properly (see above).

FINAL SETTING -

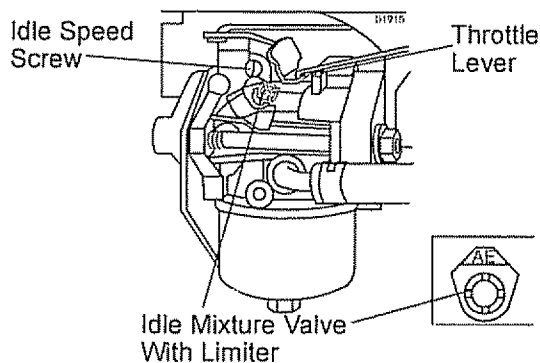
1. Start engine and allow to warm for five minutes. Make final adjustments with engine running and shift/motion control lever in neutral (N) position.
2. Move throttle control lever to slow position. With finger, rotate and hold throttle lever against idle speed screw. Turn idle speed screw to attain 1750 RPM.
3. While still holding throttle lever against idle speed screw, turn idle mixture valve full travel clockwise then counterclockwise until engine runs rough. Turn valve to a point midway between those two positions. Release throttle lever.

ACCELERATION TEST -

4. Move throttle control lever from slow to fast position. If engine hesitates or dies, turn idle mixture valve **out** (counterclockwise) 1/8 turn. Repeat test and continue to adjust, if necessary, until engine accelerates smoothly.

High speed stop is factory adjusted. Do not adjust - damage may result.

IMPORTANT: Never tamper with the engine governor, which is factory set for proper engine speed. Overspeeding the engine above the factory high speed setting can be dangerous. If you think the engine-governed high speed needs adjusting, contact a Sears or other qualified service center, which has proper equipment and experience to make any necessary adjustments.



STORAGE

Immediately prepare your tractor for storage at the end of the season or if the tractor will not be used for 30 days or more.

⚠WARNING: Never store the tractor with gasoline in the tank inside a building where fumes may reach an open flame or spark. Allow the engine to cool before storing in any enclosure.

TRACTOR

Remove mower from tractor for winter storage. When mower is to be stored for a period of time, clean it thoroughly, remove all dirt, grease, leaves, etc. Store in a clean, dry area.

1. Clean entire tractor (See "CLEANING" in the Maintenance section of this manual).
2. Inspect and replace belts, if necessary (See belt replacement instructions in the Service and Adjustments section of this manual).
3. Lubricate as shown in the Maintenance section of this manual.
4. Be sure that all nuts, bolts and screws are securely fastened. Inspect moving parts for damage, breakage and wear. Replace if necessary.
5. Touch up all rusted or chipped paint surfaces, sand lightly before painting.

BATTERY

- Fully charge the battery for storage.
- After a period of time in storage, battery may require recharging.
- To help prevent corrosion and power leakage during long periods of storage, battery cables should be disconnected and battery cleaned thoroughly (see "TO CLEAN BATTERY AND TERMINALS" in the Maintenance section of this manual).
- After cleaning, leave cables disconnected and place cables where they cannot come in contact with battery terminals.
- If battery is removed from tractor for storage, do not store battery directly on concrete or damp surfaces.

ENGINE

FUEL SYSTEM

IMPORTANT. It is important to prevent gum deposits from forming in essential fuel system parts such as carburetor, fuel hose, or tank during storage. Also, alcohol blended fuels (called gasohol or using ethanol or methanol) can attract moisture which leads to separation and formation of acids during storage. Acidic gas can damage the fuel system of an engine while in storage.

- Empty the fuel tank by starting the engine and letting it run until the fuel lines and carburetor are empty.
- Never use engine or carburetor cleaner products in the fuel tank or permanent damage may occur.
- Use fresh fuel next season

NOTE: Fuel stabilizer is an acceptable alternative in minimizing the formation of fuel gum deposits during storage. Add stabilizer to gasoline in fuel tank or storage container. Always follow the mix ratio found on stabilizer container. Run engine at least 10 minutes after adding stabilizer to allow the stabilizer to reach the carburetor. Do not empty the gas tank and carburetor if using fuel stabilizer.

ENGINE OIL

Drain oil (with engine warm) and replace with clean engine oil. (See "ENGINE" in the Maintenance section of this manual).

CYLINDER(S)

1. Remove spark plug(s).
2. Pour one ounce of oil through spark plug hole(s) into cylinder(s).
3. Turn ignition key to "START" position for a few seconds to distribute oil.
4. Replace with new spark plug(s).

OTHER

- Do not store gasoline from one season to another.
- Replace your gasoline can if your can starts to rust. Rust and/or dirt in your gasoline will cause problems.
- If possible, store your tractor indoors and cover it to give protection from dust and dirt.
- Cover your tractor with a suitable protective cover that does not retain moisture. Do not use plastic. Plastic cannot breathe which allows condensation to form and will cause your tractor to rust.

IMPORTANT. Never cover tractor while engine and exhaust areas are still warm.

TROUBLESHOOTING CHART:

See appropriate section in manual unless directed to Sears service center

PROBLEM		CAUSE		CORRECTION
Will not start	1	Out of fuel	1	Fill fuel tank.
	2	Engine not "CHOKED" properly.	2	See "TO START ENGINE" in Operation section.
	3	Engine flooded.	3	Wait several minutes before attempting to start.
	4	Bad spark plug.	4	Replace spark plug.
	5	Dirty air filter.	5	Clean/replace air filter.
	6	Dirty fuel filter.	6	Replace fuel filter.
	7	Water in fuel.	7	Empty fuel tank and carburetor, refill tank with fresh gasoline and replace fuel filter.
	8	Loose or damaged wiring.	8	Check all wiring.
	9	Carburetor out of adjustment.	9	See "To Adjust Carburetor" in Service and Adjustments section.
	10	Engine valves out of adjustment.	10	Contact a Sears or other qualified service center.
Hard to start	1	Dirty air filter.	1	Clean/replace air filter.
	2	Bad spark plug.	2	Replace spark plug.
	3	Weak or dead battery.	3	Recharge or replace battery.
	4	Dirty fuel filter.	4	Replace fuel filter.
	5	Stale or dirty fuel.	5	Empty fuel tank and refill tank with fresh, clean gasoline.
	6	Loose or damaged wiring.	6	Check all wiring.
	7	Carburetor out of adjustment.	7	See "To Adjust Carburetor" in Service and Adjustments section.
	8	Engine valves out of adjustment.	8	Contact a Sears or other qualified service center.
Engine will not turn over	1	Clutch/brake pedal not depressed	1	Depress clutch/brake pedal.
	2	Attachment clutch is engaged.	2	Disengage attachment clutch.
	3	Weak or dead battery.	3	Recharge or replace battery.
	4	Blown fuse.	4	Replace fuse.
	5	Corroded battery terminals.	5	Clean battery terminals.
	6	Loose or damaged wiring.	6	Check all wiring.
	7	Faulty ignition switch.	7	Check/replace ignition switch.
	8	Faulty solenoid or starter.	8	Check/replace solenoid or starter.
	9	Faulty operator presence switch(es).	9	Contact a Sears or other qualified service center.

TROUBLESHOOTING CHART:

See appropriate section in manual unless directed to Sears service center

PROBLEM		CAUSE		CORRECTION
Engine clicks but will not start	1	Weak or dead battery.	1	Recharge or replace battery.
	2	Corroded battery terminals.	2	Clean battery terminals.
	3	Loose or damaged wiring.	3	Check all wiring.
	4	Faulty solenoid or starter.	4	Check/replace solenoid or starter.
Loss of power	1	Cutting too much grass/too fast.	1	Raise cutting height/reduce speed
	2	Throttle in "CHOKE" position.	2	Adjust throttle control
	3	Build-up of grass, leaves and trash under mower.	3	Clean underside of mower housing
	4	Dirty air filter	4	Clean/replace air filter.
	5	Low oil level/dirty oil	5	Check oil level/change oil.
	6	Faulty spark plug.	6	Clean and regap or change spark plug
	7	Dirty fuel filter.	7	Replace fuel filter.
	8	Stale or dirty fuel.	8	Empty fuel tank and refill tank with fresh, clean gasoline.
	9	Water in fuel.	9	Empty fuel tank and carburetor, refill tank with fresh gasoline and replace fuel filter
	10	Spark plug wire loose.	10	Connect and tighten spark plug wire
	11	Dirty engine air screen/fins.	11	Clean engine air screen/fins.
	12	Dirty/clogged muffler.	12	Clean/replace muffler.
	13	Loose or damaged wiring.	13	Check all wiring
	14	Carburetor out of adjustment	14	See "To Adjust Carburetor" in Service and Adjustments section
	15	Engine valves out of adjustment.	15	Contact a Sears or other qualified service center.
Excessive vibration	1	Worn, bent or loose blade.	1	Replace blade Tighten blade bolt
	2	Bent blade mandrel	2	Contact a Sears or other qualified service center.
	3	Loose/damaged part(s).	3	Tighten loose part(s). Replace damaged parts.
Engine continues to run when operator leaves seat with attachment clutch engaged	1	Faulty operator-safety presence control system.	1	Check wiring, switches and connections. If not corrected, contact a Sears or other

TROUBLESHOOTING CHART:

See appropriate section in manual unless directed to Sears service center

PROBLEM		CAUSE		CORRECTION
Poor cut - uneven cutting	1	Worn, bent or loose blade.	1	Replace blade. Tighten blade bolt.
	2	Mower deck not level.	2	Level mower deck
	3	Buildup of grass, leaves, and trash under mower.	3	Clean underside of mower housing.
	4	Bent blade mandrel	4	Contact a Sears or other qualified service center.
	5	Clogged mower deck vent from build-up of grass, leaves, and trash around mandrels.	5	Clean around mandrels to open vent holes
Mower blades will not rotate	1	Obstruction in clutch mechanism.	1	Remove obstruction
	2	Worn/damaged mower drive belt	2	Replace mower drive belt.
	3	Frozen idler pulley.	3	Replace idler pulley.
	4	Frozen blade mandrel.	4	Contact a Sears or other qualified service center.
Poor grass discharge	1	Engine speed too slow.	1	Place throttle control in "FAST" position.
	2	Travel speed too fast.	2	Shift to slower speed
	3	Wet grass	3	Allow grass to dry before mowing
	4	Mower deck not level.	4	Level mower deck
	5	Low/uneven tire air pressure.	5	Check tires for proper PSI.
	6	Worn, bent or loose blade.	6	Replace/sharpen blade. Tighten blade bolt.
	7	Buildup of grass, leaves and trash under mower	7	Clean underside of mower housing.
	8	Mower drive belt worn	8	Replace mower drive belt
	9	Blades improperly installed.	9	Reinstall blades sharp edge down
	10	Improper blades used.	10	Replace with blades listed in this manual
	11	Clogged mower deck vent holes from buildup of grass, leaves, and trash around mandrels.	11	Clean around mandrels to open vent holes.
Headlight(s) not working (if so equipped)	1	Light switch is "OFF".	1	Turn light switch "ON".
	2	Bulb(s) or lamp(s) burned out	2	Replace bulb(s) or lamp(s).
	3	Faulty light switch.	3	Check/replace light switch.
	4	Loose or damaged wiring.	4	Check wiring and connections.
	5	Blown fuse.	5	Replace fuse.
Battery will not charge	1	Bad battery cell(s).	1	Replace battery.
	2	Poor cable connections.	2	Check/clean all connections.
	3	Faulty regulator (if so equipped).	3	Replace regulator
	4	Faulty alternator	4	Replace alternator.

TROUBLESHOOTING CHART:

See appropriate section in manual unless directed to Sears service center

PROBLEM		CAUSE		CORRECTION
Engine "backfires" when turning engine "OFF"	1	Engine throttle control not set between half and full speed (fast) position before stopping engine	1	Move throttle control between half and full speed (fast) position before stopping engine.
Engine dies when tractor is shifted into reverse	1	Reverse operation system (ROS) is not "ON" while mower or other attachment is engaged.	1	Turn ignition key to ROS "ON" position. See Operation section

NEED MORE HELP?

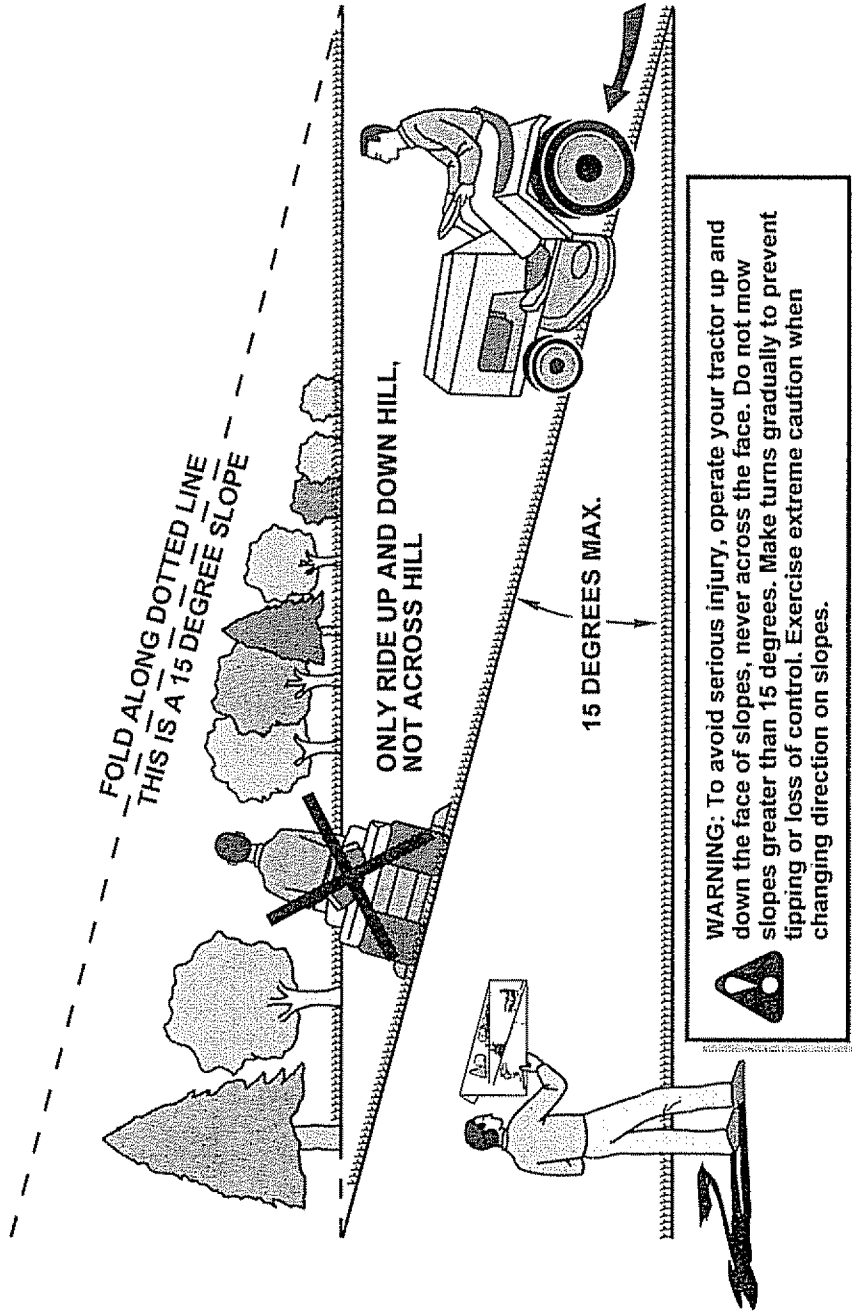
You'll find the answer and more on managemyhome.com – for free!

- Find this and all your other product manuals online.
- Get answers from our team of home experts.
- Get a personalized maintenance plan for your home.
- Find information and tools to help with home projects.

manage  home

brought to you by Sears

SUGGESTED GUIDE FOR SIGHTING SLOPES FOR SAFE OPERATION



1. Fold this page along dotted line indicated above.
2. Hold page before you so that its left edge is vertically parallel to a tree trunk or other upright structure.
3. Sight across the fold in the direction of hill slope you want to measure.
4. Compare the angle of the fold with the slope of the hill.

TABLA DE MATERIAS

Garantía.....	33	Programa de Mantenimiento.....	48
Reglas de Seguridad.....	34	Servicio y Ajustes.....	52
Especificaciones del Producto.....	37	Almacenamiento.....	57
Montaje/Pre Operación.....	39	Identificación de Problemas.....	58
Operación.....	42	Servicio Sears.....	Contratapa
Mantenimiento.....	48		

GARANTÍA

GARANTÍA LIMITADA DE CRAFTSMAN

DOS AÑOS PARA TRACTORES

Si opera y mantiene este tractor según todas las instrucciones provistas, y este deja de funcionar debido a defectos del material o de la mano de obra dentro de los dos años posteriores a la fecha de compra, comuníquese al 1-800-4-MY-HOME® para obtener una reparación sin cargo.

Durante el primer año a partir de la fecha de compra, no incurrirá en gastos ocasionados por el servicio de garantía a domicilio. Para su conveniencia, el servicio de garantía a domicilio aún estará disponible luego del primer año a partir de la fecha de compra, pero se aplicarán gastos de traslado. Si usted transporta el tractor a un lugar de entrega autorizado de Craftsman, estos gastos se cancelarán. Para localizar el lugar autorizado más cercano, comuníquese al 1-800-4-MY-HOME®.

90 DÍAS PARA BATERÍAS

Si la batería que se incluye con este tractor resulta defectuosa en los materiales o en la mano de obra (nuestras pruebas demuestran que no mantiene la carga) dentro de los 90 (noventa) días a partir de la fecha de compra, será reemplazada a domicilio sin cargo.

Esta garantía SOLO cubre los defectos en los materiales y en la mano de obra. Sears NO pagará por:

- Los artículos prescindibles que se desgastan con el uso normal, que incluyen, entre otros: hojas, bujías, limpiadores de aire, correas y filtros de aire.
- El servicio de mantenimiento estándar, cambios de aceite o puestas a punto.
- El reemplazo ni la reparación de neumáticos debido a las pinchaduras provocadas por objetos exteriores como clavos, espinas, tocones o vidrios.
- El reemplazo ni la reparación de neumáticos o ruedas debido al uso normal, accidente u operación y mantenimiento incorrectos.
- Las reparaciones necesarias debido al abuso por parte del operador, que incluyen, entre otros: daños causados por el remolque de objetos que sobrepasen la capacidad del tractor, por el impacto de objetos que doblen la estructura o el cigüeñal, o por el exceso de velocidad del motor.
- Las reparaciones necesarias debido a la negligencia del operador, que incluyen, entre otros: daños eléctricos o causados por el medio ambiente debido al almacenamiento inapropiado, la no utilización de la cantidad ni el grado adecuado de aceite para el motor, la acumulación de basura inflamable en la plataforma, o la falta de mantenimiento del equipo según las instrucciones que se encuentran en el manual del operador.
- La limpieza del motor (sistema de combustible) ni las reparaciones debido a combustible considerado contaminado u oxidado (viejo). En general, el combustible debe usarse dentro de los 30 días a partir de la fecha de compra.
- El deterioro y uso normal de los acabados exteriores ni el reemplazo de la etiqueta del producto.

Si alguna vez, este tractor se utiliza con fines comerciales o de alquiler, toda la cobertura de la garantía del tractor y de la batería será nula.

Esta garantía se aplica únicamente mientras el producto permanezca dentro de los Estados Unidos.

Esta garantía le otorga derechos legales específicos y es posible que usted goce de otros derechos que varían de estado en estado.

Sears, Roebuck and Co., Hoffman Estates, IL 60179

REGLAS DE SEGURIDAD

PELIGRO: Esta Máquina cortadora es capaz de amputar las manos y los pies y de lanzar objetos. Si no se observan las instrucciones de seguridad siguientes se pueden producir lesiones graves o la muerte.

⚠️ ADVERTENCIA: Siempre desconecte el alambre de la bujía y póngalo donde no pueda entrar en contacto con la bujía, para evitar el arranque por accidente, durante la preparación, el transporte, el ajuste o cuando se hacen reparaciones.

⚠️ ADVERTENCIA: No avance cuesta abajo a punto muerto ya que podría perder el control del tractor.

⚠️ ADVERTENCIA: Remolque solamente los accesorios recomendados y conformes a las características indicadas por el fabricante de su tractor. Tenga cuidado y prudencia al utilizar el tractor. Cuando se encuentre en un declive, opere utilizando exclusivamente la velocidad más baja. En caso de un declive una carga excesiva podría resultar peligrosa. Los neumáticos pueden perder la tracción con el suelo y hacerle perder el control de su tractor.

⚠️ ADVERTENCIA: El tubo de escape del motor, algunos de sus constituyentes y algunos componentes del vehículo contienen o desprenden productos químicos conocidos en el Estado de California como causa de cáncer y defectos al nacimiento u otros daños reproductivos.

⚠️ ADVERTENCIA: Los bornes, terminales y accesorios relativos de la batería contienen plomo o compuestos de plomo, productos químicos conocidos en el Estado de California como causa de cáncer y defectos al nacimiento u otros daños reproductivos. **Lavar las manos después de manipularlos.**

I. FUNCIONAMIENTO GENERAL

- Leer, entender y seguir todas las instrucciones sobre la máquina y en el manual antes de empezar.
- No poner las manos o los pies cerca de partes giratorias o debajo de la máquina. Mantener siempre limpia la abertura de descarga.
- Permitir el funcionamiento de la máquina sólo a adultos que tengan familiaridad con las instrucciones.
- Limpiar el área de objetos como piedras, juguetes, cables, etc. que pueden ser recogidos y disparados con las cuchillas.
- Asegurarse de que el área esté libre de otras personas antes de ponerla en marcha. Parar la máquina si alguien entra en el área.
- Nunca llevar pasajeros.
- No cortar marcha atrás al no ser absolutamente necesario. Mirar siempre abajo y delante mientras se procede atrás.
- Nunca dirigir el material descargado hacia nadie. Evitar descargar material contra paredes u obstrucciones. El material podría rebotar hacia el operador. Parar las cuchillas cuando se pasan superficies de grava.

- No hacer funcionar la máquina sin el captador de hierba entera, la protección de descarga u otros dispositivos de seguridad en su lugar y en buenas condiciones.
- Ralentizar antes de girar.
- Nunca dejar una máquina encendida sin vigilancia. Apagar siempre las cuchillas, poner el freno de estacionamiento, parar el motor, y quitar las llaves antes de bajar.
- Desconectar las cuchillas cuando no se corta. Apagar el motor y esperar que todas las partes estén completamente paradas antes de limpiar la máquina, quitar el captador de hierba, o desatascar la protección de descarga.
- Hacer funcionar la máquina sólo con la luz del día o luz artificial buena.
- No hacer funcionar la máquina estando bajo los efectos de alcohol o droga.
- Poner atención al tráfico cuando se opera cerca de calles o se cruzan.
- Poner la máxima atención al cargar o descargar la máquina en una caravana o camión.
- Llevar siempre gafas de protección cuando se hace funcionar la máquina.
- Los datos indican que los operadores a partir de los 60 años están afectados por un gran porcentaje de heridas relativas a la conducción del cortacésped. Estos operadores tendrían que evaluar su habilidad de hacer funcionar el cortacésped de modo lo bastante seguro para proteger a sí mismos y a otras personas de heridas graves.
- Seguir las recomendaciones del fabricante para los pesos y contrapesos de las ruedas.
- Mantener la máquina libre de hierba, hojas u otros escombros que pueden tocar el tubo de escape / partes del motor calientes y quemarse. No permitir que el puente del cortacésped cargue hojas u otros residuos que pueden causar acumulaciones. Limpiar toda salpicadura de aceite o carburante antes de hacer operaciones sobre la máquina o guardarla. Dejarla enfriar antes de guardarla.

II. FUNCIONAMIENTO EN PENDIENTES

Las pendientes son el mayor factor de accidentes relativos a la pérdida de control y vuelco, que pueden causar severas heridas o muerte. El funcionamiento en pendientes requiere una atención extra. Si no es posible hacer marcha atrás en una pendiente o si te sientes incomodo, no la cortes.

- Cortar hacia arriba y abajo de una pendiente, no de modo horizontal.
- Poner atenciones a los hoyos, las raíces, los bultos, las piedras u otros objetos escondidos. El terreno irregular puede volcar la máquina. La hierba alta puede esconder obstáculos.

REGLAS DE SEGURIDAD

- Escoger una velocidad de marcha baja de modo que no sea necesario pararse o cambiar estando en una pendiente.
- No cortar la hierba mojada. Las ruedas pueden perder tracción.
Poner siempre una marcha cuando se está en pendientes. No poner en punto muerto e ir cuesta abajo
- Evitar arrancar, pararse o girar en una pendiente. Si las ruedas pierden tracción, desconectar las cuchillas y proceder despacio cuesta abajo en la pendiente.
- Mantener todo los movimientos en las pendientes lentos y gradual. No hacer cambios repentinos de velocidad o dirección, ya que pueden causar el escape de la máquina.
- Poner la máxima atención cuando la máquina funciona con captadores de hierba u otros dispositivos enganchados; pueden afectar la estabilidad de la máquina. No usar en pendientes empinados
- No intentar estabilizar la máquina poniendo el pie en el terreno.
- No cortar cerca de bajadas, cunetas y orillas. La máquina puede volcarse improvisamente si una rueda está en el borde o se hunde

III. NIÑOS

Si el operador no pone atención a la presencia de los niños pueden ocurrir accidentes trágicos. Los niños a menudo están atraídos por la máquina y las actividad de cortar. No dar por hecho de que los niños se queden adonde estaban la última vez que los vistes.

- Mantener los niños fuera del área de corte y vigilados por un adulto responsable que no sea el operador.
- Estar alerta y apagar la máquina si un niños entra en el área.
- Antes y durante la marcha atrás, mirar adelante y abajo para ver si hay niños pequeños.
- Nunca llevar niños, incluso si hay las cuchillas apagadas. Podrían caer y herirse seriamente o interferir con el funcionamiento seguro de la máquina. los niños que se han llevado precedentemente pueden aparecer de pronto en el área de corte por otro paseo y ser atropellados o tumbados por la máquina.
- Nunca dejar que los niños manipulen la máquina.
- Tener el máximo cuidado cuando se acerca a cantos ciegos, arbustos, árboles u otros objetos que pueden impedir la vista de niños.

IV. REMOLQUE

- Remolcar sólo con una máquina que tenga un gancho diseñado para remolcar. Enganchar el equipo o remolcar sólo en el punto dispuesto al efecto
- Seguir las recomendaciones del productor con respecto a los límites del equipo por remolcar y el remolque en pendientes.

- Nunca permitir que niños u otras personas estén dentro del equipo por remolcar.
- En pendientes, el peso del equipo remolcado puede causar la pérdida de tracción y la pérdida de control.
- Viajar despacio y dejar más distancia para frenar.

V. SERVICIO MANIPULACIÓN SEGURA DE LA GASOLINA

Para evitar heridas personales o daños a las cosas, poner el máximo cuidado a la hora de manipular la gasolina. La gasolina es extremadamente inflamable y los vapores son explosivos.

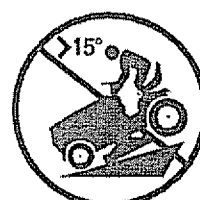
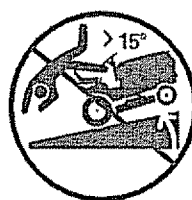
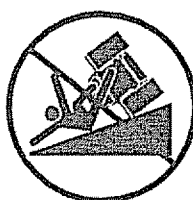
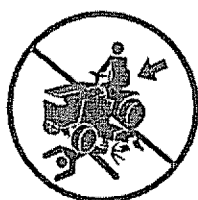
- Apagar todos los cigarrillos, cigarros, pipas y otras fuentes de ignición.
- Usar sólo contenedores para gasolina aprobados.
- Nunca quitar el tapón de la gasolina o añadir carburante con el motor en marcha. dejar enfriar el motor antes del abastecimiento de la gasolina.
- Nunca abastecer la máquina al interior de un local.
- Nunca guardar la máquina o el contenedor del carburante donde haya una llama abierta, chispas o una luz piloto como un calentador de agua u otros dispositivos.
- Nunca llenar los contenedores al interior de un vehículo o en una caravana o camión recubiertos con un forro de plástico. Colocar siempre los contenedores en el terreno lejos del vehículo cuando se está llenando.
- Quitar el equipo de gas del camión o caravana y abastecerlo en el terreno. Si no es posible, abastecer dicho equipo con un contenedor portátil, más bien que de un surtidor de gasolina
- Mantener la boquilla a contacto del borde del depósito de carburante o la abertura del contenedor durante toda la operación de abastecimiento. No utilizar un dispositivo con boquilla cerrada-abierta.
- Si se vierte carburante sobre la ropa, cambiarse la ropa inmediatamente.
- Nunca llenar el depósito más de lo debido. Volver a colocar el tapón del gas y cerrar de modo firme.

OPERACIONES DE SERVICIO GENERALES

- Nunca hacer funcionar la máquina en un área cerrada
- Mantener todas las tuercas y pernos apretados para asegurarse de que trabaja en condiciones seguras
- Nunca modificar los dispositivos de seguridad. Controlar su correcto funcionamiento regularmente

REGLAS DE SEGURIDAD

- Mantener la máquina libre de hierba, hojas u otros residuos acumulados. Limpiar las salpicaduras de aceite o carburante y quitar cualquier cosa mojada con carburante. Dejar que la máquina se enfríe antes de guardarla.
- Si se golpea un objeto ajeno, hay que pararse e inspeccionar la máquina. Reparar, si es necesario, antes de volver a poner en marcha.
- Nunca hacer ningún ajuste o reparación con el motor en función.
- Controlar los componentes del captador de hierba y la protección de la descarga frecuentemente y sustituir con partes recomendadas por el fabricante, en su caso.
- Las cuchillas del cortacésped son afiladas. Envolver la cuchilla, ponerse guantes y poner la máxima atención cuando se hacen operaciones en ellas.
- Controlar el funcionamiento del freno frecuentemente. Ajustar y hacer las operaciones de mantenimiento cuando eso sea necesario.
- Mantener y sustituir las etiquetas de seguridad e instrucción, cuando sea necesario.



- Asegurarse de que el área esté libre de otras personas antes de ponerla en marcha para la máquina si alguien entra en el área.
- Nunca llevar pasajeros.
- No cortar marcha atrás al no ser absolutamente necesario. Mirar siempre abajo y delante mientras se procede atrás.
- Nunca llevar niños, incluso si hay las cuchillas apagadas. Podrían caer y herirse seriamente o interferir con el funcionamiento seguro de la máquina. Los niños que se han llevado precedentemente pueden aparecer de pronto en el área de corte por otro paseo y ser atropellados o tumbados por la máquina.
- Mantener los niños fuera del área de corte y vigilados por un adulto responsable que no sea el operador.
- Estar alerta y apagar la máquina si un niño entra en el área.
- Antes y durante la marcha atrás, mirar adelante y abajo para ver si hay niños pequeños.
- Cortar hacia arriba y abajo de una pendiente (15° Máx), no de modo horizontal.
- Escoger una velocidad de marcha baja de modo que no sea necesario pararse o cambiar estando en una pendiente.
- Evitar arrancar, pararse o girar en una pendiente. Si las ruedas pierden tracción, desconectar las cuchillas y proceder despacio cuesta abajo en la pendiente.
- Si la máquina se para mientras va cuesta arriba, desconectar las cuchillas, poner la marcha atrás y ir hacia atrás despacio.
- No girar estando en pendientes si no es necesario, y luego girar despacio y gradualmente cuesta abajo, si es posible.

ESPECIFICACIONES DEL PRODUCTO

Capacidad y Tipo de Gasolina	1 25 Galones Regular Sin Plomo	
Tipo de Aceite (API-SG-SL):	SAE 30 (Sobre 32°F) SAE 5W30 (Deabajo 32°F)	
Capacidad de Aceite:	Con Filtro:	56 oz.
	Sin Filtro:	48 oz.
Bujía:	Champion RC12YC (Abertura: 030")	
Velocidad de Recarrido(MPH):	Marcha Hacia Adelante:	
	1 st	1.2
	2 nd	1.5
	3 rd	2.4
	4 th	3.4
	5 th	4.3
	6 th	5.5
	Marcha Atrás: 1.7	
Sistema de Carga:	3 Amps Bateria 5 Amps Luces	
Batería:	AMP/HR:	28
	MIN. CCA:	230
	Modelo Tamaño:	U1R
Torsión del Perno de la Cuchilla:	45-55 Ft. Lbs.	

FELICITACIONES por la compra de su tractor. Ha sido diseñado, planificado y fabricado para darle la mejor confiabilidad y el mejor rendimiento posible.

En el caso de que se encuentre con cualquier problema que no pueda solucionar fácilmente, haga el favor de ponerse en contacto con un centro de servicio Sears o con un otro centro de servicio cualificado. Cuenta con representantes bien capacitados y competentes y con las herramientas adecuadas para darle servicio o para reparar este tractor.

Haga el favor de leer y de guardar este manual. Estas instrucciones le permitirán montar y mantener su unidad en forma adecuada. Siempre observe las "REGLAS DE SEGURIDAD."

RESPONSABILIDADES DEL CLIENTE

- Lea y observe las reglas de seguridad
- Siga un programa regular de mantenimiento, cuidado y uso de su tractor.
- Siga las instrucciones descritas en las secciones "Mantenimiento" y "Almacenamiento" de este Manual del Dueño.

⚠️ ADVERTENCIA: Este tractor viene equipado con un motor de combustión interna y no se debe usar sobre, o cerca, de un terreno no desarrollado cubierto de bosques, de arbustos o de césped, o menos que el sistema de escape del motor venga equipado con un amortiguador de chispas que cumpla con las leyes locales o estatales (si existen). Si se usa un amortiguador de chispas, el operador debe mantenerlo en condiciones de trabajo eficientes.

En el estado de California, la ley exige lo anterior (Sección 4442 del "California Public Resources Code"). Otros estados pueden contar con otras leyes parecidas. Las leyes federales se aplican en la tierras federales. Su centro de Servicio más cercano tiene disponible amortiguadores de chispas para el silenciador. (Vea la sección de Partes de Repuesto en el manual)

ACUERDOS DE PROTECCIÓN PARA LA REPARACIÓN

Congratulaciones por su buena compra. Su nuevo producto Craftsman® está diseñado y fabricado para funcionar de modo fiable por muchos años. Pero como todos los productos, puede necesitar alguna reparación de tanto en tanto. En este caso tener un Acuerdo de Protección para la Reparación puede hacerles ahorrar dinero y fastidios.

Compre ahora un Acuerdo de Protección para la Reparación y protégese de molestias y gastos inesperados.

Un Acuerdo incluye los puntos siguientes:

- **Servicio experto** de nuestros 12 000 especialistas profesionales en la reparación.
- **Servicio ilimitado sin cargo alguno** para las partes y la mano de obra sobre todas las reparaciones garantizadas
- **Sustitución del producto** si su producto garantizado no puede ser arreglado
- **Descuento del 10%** sobre el precio corriente del servicio y de las partes relativas al servicio no cubiertas por el acuerdo; también el 10% menos sobre el precio corriente de un control de mantenimiento preventivo.
- **Ayuda rápida por teléfono** – soporte telefónico por parte de un representante Sears sobre productos que requieran un arreglo en casa, y además una programación sobre los arreglos más convenientes.

Cuando se ha comprado el Acuerdo, basta con una llamada telefónica para programar el servicio. Puede llamar cuando quiera, día y noche o fijar en línea una cita para obtener el servicio. Sears tiene más de 12 000 especialistas profesionales en la reparación, que tienen acceso a más de 4 5 millones de partes y accesorios de calidad.

Este es el tipo de profesionalidad con que puede contar para ayudar a alargar la vida del producto que acaba de comprar, por muchos años. ¡Compre hoy su Acuerdo de Protección para la Reparación!

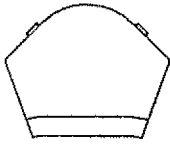
Se aplican algunas limitaciones y exclusiones. Para conocer los precios y tener más Información, llame al 1-800-827-6655.

SERVICIO DE INSTALACIÓN SEARS

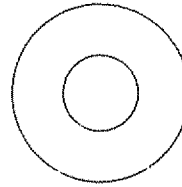
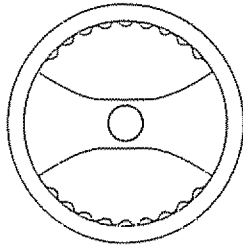
Para la instalación profesional Sears de aparatos de casa, puertas de garaje, calentadores de agua y otros importantes artículos para la casa, en U.S.A llamar a 1-800-4-MY-HOME®

PIEZAS SIN MONTAR

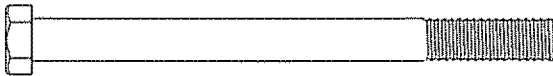
Volante de dirección



Inserto del volante de dirección



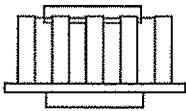
(1) Arandela



(1) Perno hexagonal
5/16-18 x 4



(1) Arandela de
seguridad 5/16

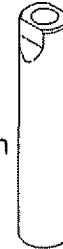


Adaptador

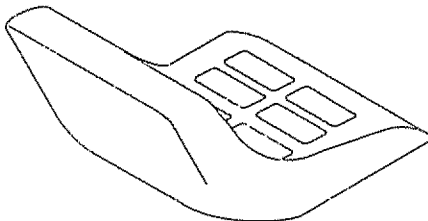


Accesorio de
transición de la
dirección

Eje de
Extensión



Asiento



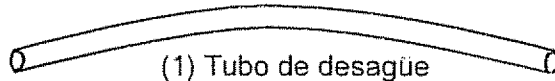
(1) Asiento



(1) Arandela de calibre

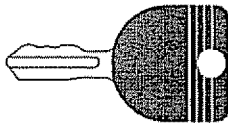


(1) Manilla



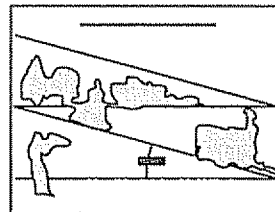
(1) Tubo de desagüe

Llaves



(2) Llaves

Hoja de pendiente



MONTAJE/PRE OPERACIÓN

Su tractor nuevo ha sido montado en la fábrica con la excepción de aquellas partes que no se han montado por razones de envío. Para asegurarse que su tractor funcione en forma adecuada y segura todas las partes y los artículos de ferretería que se monten tienen que ser apretados en forma segura. Use las herramientas correctas, según sea necesario, para asegurarse de que estén apretados en forma segura.

HERRAMIENTAS NECESARIAS PARA EL MONTAJE

Un juego de llaves de tubo facilitará el montaje. A continuación se enumeran los tamaños de las llaves estándar.

- (1) Llave de 3/4" (1) Medidor de presión de las llantas
- (1) Llave de 1/2"
- (1) Pinzas
- (1) Cuchillo para todo uso

Cuando en teste manual se mencionan los términos "mano derecha" o "mano izquierda" se refiere a cuando usted se encuentra en la posición de operación (sentado/a detrás del volante de dirección)

PARA REMOVER EL TRACTOR DE LA CAJA DE CARTÓN

DESEMPAQUE LA CAJA DE CARTÓN

1. Remueva todas las partes sueltas que estén accesibles, y las cajas de partes, de la caja de cartón grande.
2. Cortar a lo largo de las líneas de puntos en todos los cuatro paneles de cartón. Remover los paneles de cierre y aplanar los paneles laterales.
3. Revise si hay partes sueltas adicionales o cartón y remuévalas.

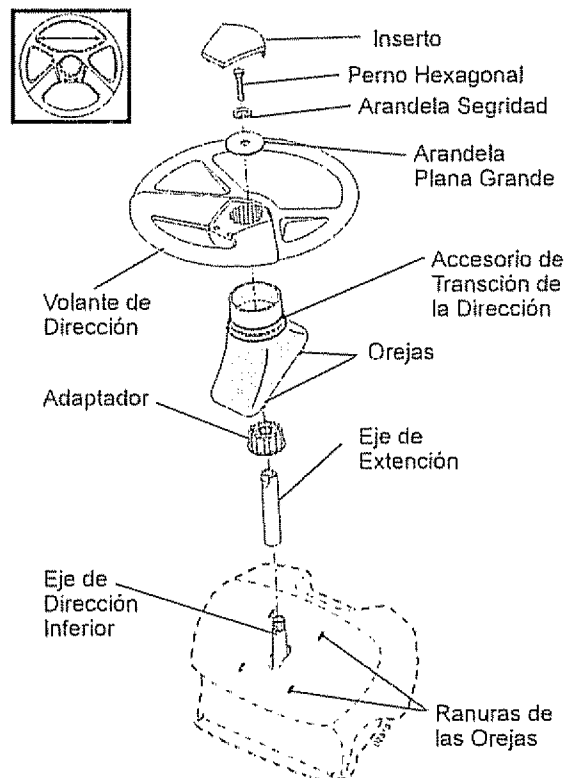
ANTES DE REMOVER EL TRACTOR DE LA CORREDERA

ADJUNTE EL VOLANTE DE DIRECCIÓN MONTAJE DEL EJE DE EXTENSIÓN Y EL ACCESORIO DE TRANSICIÓN DE LA DIRECCIÓN

1. Deslice el eje de extensión sobre el eje del volante inferior.
2. Ponga las orejas del accesorio de transición de la dirección sobre las ranuras para las orejas, en el tablero, y empújelas hacia abajo para asegurarlas.

INSTALACIÓN DEL VOLANTE DE DIRECCIÓN

3. Ponga las ruedas delanteras del tractor para que estén indicadas hacia adelante.
4. Remueva el adaptador del volante y deslice el adaptador sobre la extensión del eje de dirección.
5. Ponga el volante de dirección de manera que las barras transversales queden horizontales (izquierda a derecha) y deslícelo al interior del eje y sobre el adaptador.
6. Monte la arandela plana grande, arandela de seguridad de 5/16, perno hexagonal 5/16 y apriéte las en forma segura.
7. Presione el inserto del volante de dirección en el centro de éste.
8. Remueva el embalaje de cartón del capó y de la rejilla.



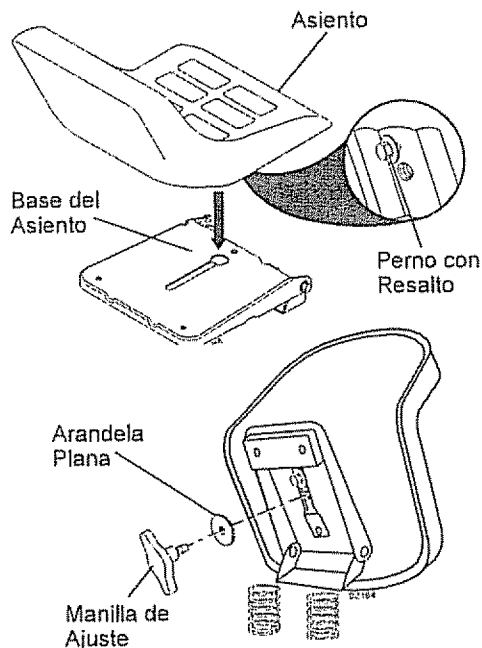
IMPORTANTE: Revise y remueva todas las grampas en la corredera porque pueden perforar las llantas en donde el tractor tiene que rodar para salirse de ella.

INSTALACIÓN DEL ASIENTO

Ajuste el asiento antes de apretar la manilla de ajuste.

1. Remueva la manilla de ajuste y la arandela plana que aseguran el asiento al empaque de cartón y póngalos de lado para poder utilizarlos durante la instalación del asiento sobre el tractor.
2. Gire el asiento hacia arriba y remuevalo del embalaje de cartón. Remueva y deseche el embalaje de cartón.
3. Coloque el asiento y en el asiento del recipiente de manera que la cabeza del bulón de la espalda esté posicionada en el agujero ancho ranurado en el recipiente.
4. Empujar en el asiento para enganchar el bulón de la espalda en la ranura y empujar el asiento hacia la parte trasera del tractor.
5. Pivotear el asiento y el recipiente hacia adelante y ensamblar el botón de regulación y la arandela plana de modo no fuerte. No apretar enroscar fuerte.
6. Baje el asiento a la posición de operación y siéntese en el asiento.

7. Deslice el asiento hasta que llegue a una posición cómoda, que le permita presionar el pedal del embrague/freno completamente hasta abajo.
8. Desmóntese del asiento sin mover su posición ajustada.
9. Levante el asiento y apriete la manilla de ajuste en forma segura.



AVISO: Ahora puede rodar su tractor fuera de la corredera. Siga las siguientes instrucciones para remover el tractor de la corredera.

AVISO: Ahora puede rodar su tractor fuera de la corredera. Siga las siguientes instrucciones para remover el tractor de la corredera.

⚠ADVERTENCIA: Antes de empezar, leer, entender y seguir todas las instrucciones presentes en la sección Operaciones de este manual. Asegurarse que el tractor esté en un área bien ventilada. Asegurarse que la zona delante del tractor esté libre de otras personas y objetos.

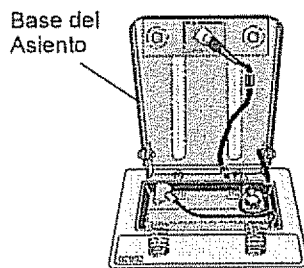
PARA HACER RODAR EL TRACTOR FUERA DE LA CORREDERA (Vea la sección de la operación para la localidad y la función de los controles)

1. Apriete la manilla de levantamiento del pistón y, levante la palanca de levantamiento del accesorio a su posición más alta.
2. Suelte el freno de estacionamiento presionando el pedal del embrague/freno.
3. Ponga la palanca de cambios en la posición de neutro (N).
4. Haga rodar el tractor hacia delante fuera de la corredera.
5. Remueva las bandas que sujetan la protección contra la descarga en contra del tractor.

VERIFIQUE LA BATERIA

1. Levante la base del asiento a la posición levantada.

AVISO: Si esta batería esta utilizada después del mes y año indicado sobre la etiqueta (la etiqueta que se encuentra entre los terminales), cargue la batería por un mínimo de una hora a 6-10 amps.



REVISIÓN DE LA PRESIÓN DE LAS LLANTAS

Las llantas en su tractor fueron infladas demasiado en la fábrica por razones de envío. La presión de las llantas correctas es importante para obtener el mejor rendimiento en el corte

- Reduzca la presión de las llantas a la PSI.

REVISIÓN DE LA NIVELACIÓN DEL CONJUNTO

Para obtener los mejores resultados en el corte, la caja de la segadora tiene que estar nivelada en la forma adecuada. Vea "PARA NIVELAR LA CAJA DE LA SEGADORA" en la sección de Servicio y Ajustes de este manual.

REVISIÓN DE LA POSICIÓN ADECUADA DE TODAS LAS CORREAS

Vea las figuras que aparecen para cambiar las correas de impulsión de la cuchilla de la segadora y de movimiento en la sección de Servicio y Ajustes de este manual. Verifique que las correas sigan su paso correcto

REVISIÓN DEL SISTEMA DE FRENOS

Una vez que usted haya aprendido a manejar su tractor, verifique que el freno funcione correctamente. Ver "PARA VERIFICAR SI FUNCIONA BIEN EL FRENO" en el capítulo de servicio y ajustes de este manual.

✓ LISTA DE REVISIÓN

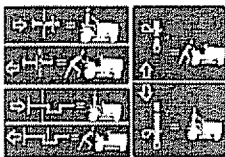
ANTES DE OPERAR Y DE DISFRUTAR DE SU TRACTOR NUEVO, LE DESEAMOS QUE RECIBA EL MEJOR RENDIMIENTO Y LA MAYOR SATISFACCIÓN DE ESTE PRODUCTO DE CALIDAD

HAGA EL FAVOR DE REVISAR LA LISTA A CONTINUACIÓN:

- ✓ Se han completado todas las instrucciones de montaje.
 - ✓ No quedan partes sueltas en la caja de cartón.
 - ✓ La batería está preparada y cargada en forma adecuada.
 - ✓ El asiento ha sido ajustado en forma cómoda y apretado en forma segura.
 - ✓ Todas las llantas han sido infladas en forma adecuada. (Para fines de envío, las llantas se inflaron demasiado en la fábrica.)
 - ✓ Asegúrese que el conjunto segador esté nivelado en forma adecuada, de lado a lado y desde adelante hacia atrás, para obtener los mejores resultados en el corte. (Las llantas tienen que estar infladas en forma adecuada para la nivelación.)
 - ✓ Revise las correas de impulsión y de la segadora. Asegúrese que recorran el paso adecuado alrededor de las poleas y dentro de todos los fijadores de las correas.
 - ✓ Revise el alambrado. Fíjese que todas las conexiones todavía estén seguras y que los alambres estén sujetos en forma adecuada.
- AL MISMO TIEMPO QUE APRENDE A COMO USAR SU TRACTOR, PRESTE ATENCIÓN EXTRA A LOS PUNTOS DE IMPORTANCIA QUE SE PRESENTAN A CONTINUACIÓN:
- ✓ El aceite del motor tiene que llegar al nivel adecuado
 - ✓ El estanque de combustible tiene que estar lleno con gasolina sin plomo regular, nueva y limpia.
 - ✓ Familiarícese con todos los controles – su ubicación y su función. Opérelos antes de hacer arrancar el motor
 - ✓ Asegúrese que el sistema de frenos esté en una condición de operación segura.
 - ✓ Asegurarse de que el Sistema de Presencia del Operador y el Sistema de Funcionamiento Atrás (ROS) funcionan de modo adecuado (Ver las Secciones de Funcionamiento y Mantenimiento en este manual).

OPERACIÓN

Estos símbolos pueden aparecer sobre su tractor o en la literatura proporcionada con el producto. Aprenda y comprenda sus significados.



RUEDA LIBRE
(Solamente para los modelos automaticos)



No seguir las siguientes instrucciones puede provocar heridas o muerte. Los símbolos de aviso de seguridad se utilizan para identificar informaciones de seguridad relativas a peligros que pueden provocar la muerte, heridas graves y/o daños a la máquina.



PELIGRO indica un peligro que, si no se evita, provoca muerte o lesiones graves.



ADVERTENCIA indica un peligro que, si no se evita, puede provocar muerte o lesiones graves.



PRECAUCIÓN indica un peligro que, si no se evita, puede provocar lesiones ligeras o moderadas.

PRECAUCIÓN cuando se utiliza sin el símbolo de aviso, indica una situación que puede provocar daños al tractor y/o al motor.



SUPERFICIES CALIENTES indica un peligro que, si no se evita, puede provocar la muerte, lesiones graves y/o daños a la máquina.

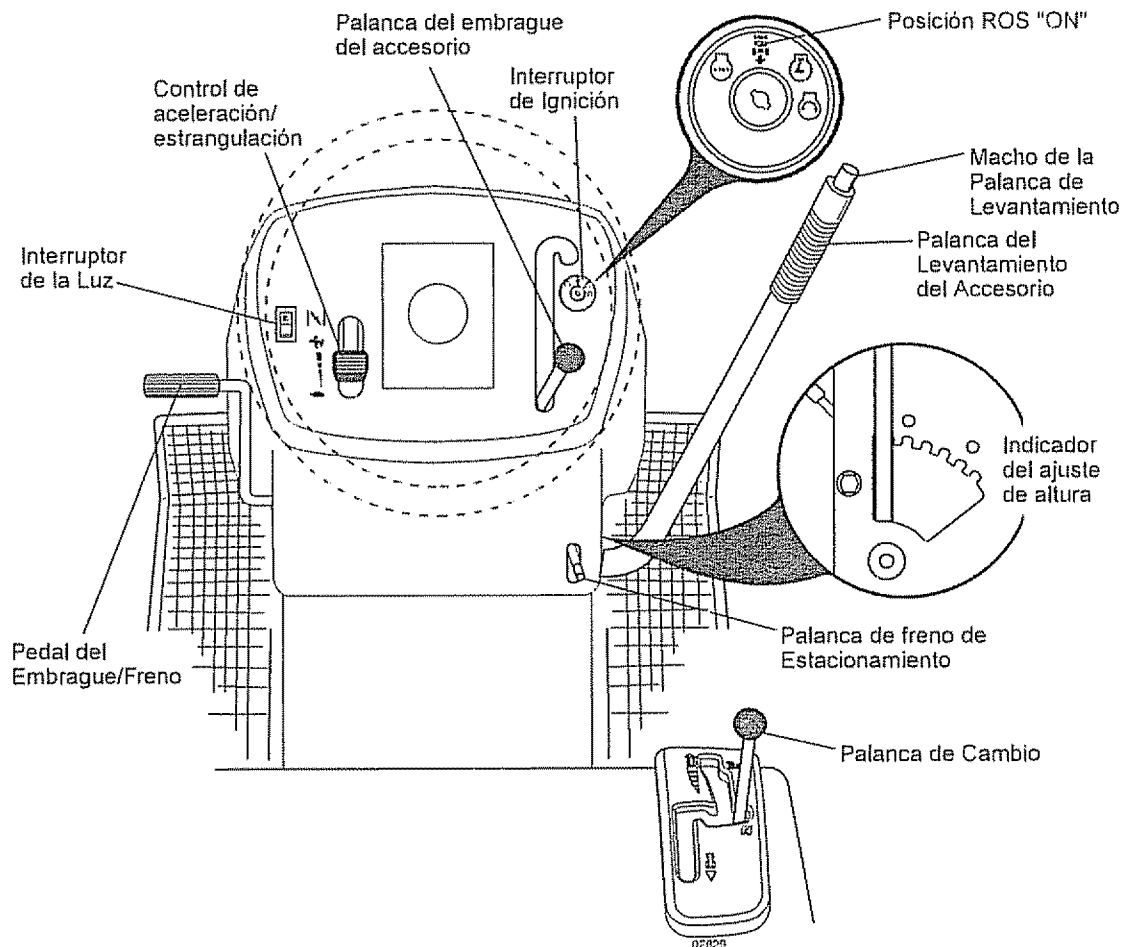


FUEGO indica un peligro que, si no se evita, puede provocar la muerte, lesiones graves y/o daños a la máquina.

FAMILIARICÉSE CON SU TRACTOR

LEA ESTE MANUAL DEL DUEÑO Y LAS REGLAS DE SEGURIDAD ANTES DE OPERAR SU TRACTOR

Compare las ilustraciones con su tractor para familiarizarse con las ubicaciones de los diversos controles y ajustes. Guarde este manual para referencia en el futuro.



Nuestros tractores cumplen con los estándares de seguridad del American National Standards Institute.

CONTROL DE ACELERACIÓN/ESTRANGULACIÓN - Se usa para controlar la velocidad del motor.
INTERRUPTOR DE IGNICIÓN - Se usa para hacer arrancar o hacer parar el motor.
INTERRUPTOR DE LA LUZ - Enciende y apaga las luces delanteras.
INTERRUPTOR DEL SISTEMA DE FUNCIONAMIENTO HACIA ATRÁS (ROS) en posición "ON" - Permite la operación del conjunto segador o otro accesorio accionado mientras que en revés.
MACHO DE LA PALANCA DE LEVANTAMIENTO - Se usa para soltar la palanca de levantamiento del accesorio cuando se cambia su posición.

PALANCA DE CAMBIO - Selecciona la velocidad y la dirección del tractor.
PALANCA DE FRENO DE ESTACIONAMIENTO - Asegura el pedal del embrague/freno en la posición del freno.
PALANCA DEL EMBRAGUE DEL ACCESORIO - Se usa para enganchar las cuchillas segadoras, o los demás accesorios montados en su tractor.
PALANCA DEL LEVANTAMIENTO DEL ACCESORIO - Se usa para levantar, bajar, y ajustar el conjunto segador o los demás accesorios montados en su tractor.
PEDAL DEL EMBRAGUE/FRENO - Se usa para desembragar y frenar el tractor y para hacer arrancar el motor.



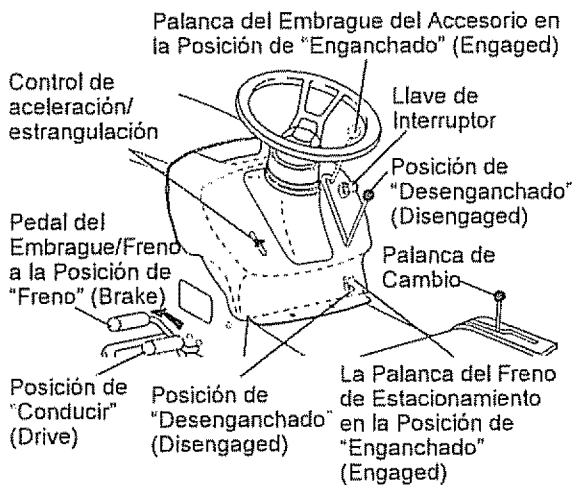
La operación de cualquier tractor puede hacer que salten objetos extraños dentro de sus ojos, lo que puede producir daños graves en éstos. Siempre use anteojos de seguridad o protecciones para los ojos mientras opere su tractor o cuando haga ajustes o reparaciones. Recomendamos el uso de la máscara de seguridad de visión amplia, para uso sobre los espejuelos o anteojos de seguridad estándar.

COMO USAR SU TRACTOR

PARA AJUSTAR EL FRENO DE ESTACIONAMIENTO

Su tractor viene equipado con un interruptor sensor que exige la presencia del operador. Cuando el motor está funcionando, si el operador trata de bajarse del asiento sin primero aplicar el freno de estacionamiento, se apagará el motor.

1. Presione el pedal del freno/embrague completamente y sostengalo.
2. Tire la palanca del freno de estacionamiento hacia arriba y alivie la presión del pedal de freno/embrague. El pedal tiene que quedar en la posición de freno. Asegúrese que el freno de estacionamiento va a sujetar el tractor en forma segura.



PARADA

CUCHILLAS DE LA SEGADORA -

- Mueva la palanca del embrague del accesorio a la posición desenganchado (disengaged).

IMPULSIÓN DE RECORRIDO -

- Para parar el mecanismo impulsor, presione el pedal del freno/embrague completamente.
- Mueva la palanca de cambio a la posición de neutro (N).

MOTOR -

- Mover la palanca de mando entre la posición de velocidad media y máxima (rápida).

AVISO: Si no se mueve la palanca de mando entre la posición de velocidad media y máxima (rápida), antes de pararse, se puede causar un "retorno de llama" del motor.

- Gire la llave de ignición a la posición de apagado (STOP) y remueva la llave al abandonar el tractor para evitar el uso no autorizado.
- Nunca use la estrangulación para parar el motor.

IMPORTANTE: Dejando el interruptor de la ignición en cualquier posición otra que "STOP" causar i que la batería se descargue (muerta).

AVISO: Bajo ciertas condiciones, cuando el tractor está parado con el motor andando en vacío, los gases de escape del motor caliente pueden hacer que el césped se ponga "café." Para eliminar esta posibilidad, siempre pare el motor cuando pare el tractor en áreas con césped.

PRECAUCIÓN: Siempre pare el tractor completamente, según se ha descrito anteriormente, antes de abandonar la posición del operador.

PARA USAR EL CONTROL DE LA ACELERACIÓN

Siempre opere el motor a una aceleración completa.

- Si el motor funciona a una velocidad inferior a la máxima (rápida), su rendimiento disminuye.
- El rendimiento óptimo se obtiene a la velocidad máxima (rápida).

PARA MOVERSE HACIA ADELANTE Y HACIA ATRÁS

La dirección y la velocidad del movimiento son controladas por medio de la palanca de cambio.

1. Haga arrancar el tractor con el pedal del embrague/freno presionado y con la palanca de cambio en la posición de neutro (N).
2. Mueva la palanca de cambio a la posición deseada.
3. Lentamente suelte el pedal de embrague/freno para empezar con el movimiento.

IMPORTANTE: Haga que el tractor pare completamente antes de hacer cambios o de cambiar de engranajes. Si no se hace lo anterior se acortara la duración útil de su transeje.

PARA AJUSTAR LA ALTURA DE CORTE DE LA SEGADORA

La posición de la palanca de levantamiento del accesorio determina la altura de corte.

- Agarre la palanca de levantamiento.
- Presione el macho con el dedo pulgar y mueva la palanca a la posición deseada.

La gama de la altura de corte es de aproximadamente 1-1/2 a 4 pulgadas. Las alturas se miden desde el suelo a la punta de la cuchilla cuando el motor no está funcionando. Estas alturas son aproximadas y pueden variar dependiendo de las condiciones del suelo, de la altura del césped y del tipo del césped que se está segando.

- El césped promedio debe cortarse aproximadamente a 2-1/2 pulgadas durante la temporada fría y sobre 3 pulgadas durante los meses calurosos. Para obtener un césped más saludable y de mejor apariencia, siegue a menudo y después de un crecimiento moderado.
- Para obtener el mejor rendimiento de corte, el césped que tiene más de 6 pulgadas de altura debe segarse dos veces. Haga el primer corte relativamente alto; el segundo a la altura deseada.

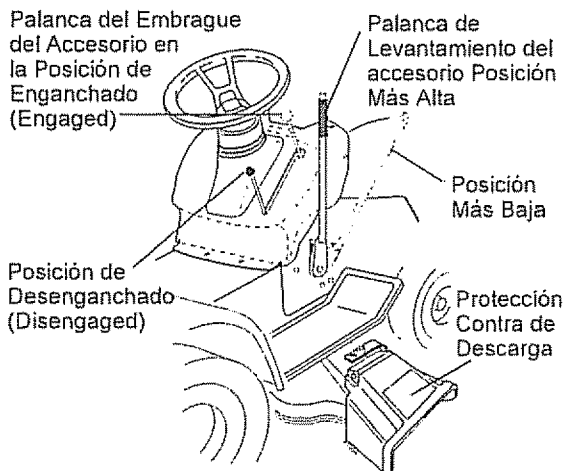
PARA OPERAR LA SEGADORA

Su tractor viene equipada con un interruptor sensor que exige la presencia del operador. Si el motor está funcionando y el embrague del accesorio está enganchado y el operador trata de bajarse del asiento, se apagará el motor. Tiene que mantenerse sentado completa y centralmente en el asiento para impedir que el motor vacile o se apague cuando se opere su equipo en terreno disperejo, áspero o en cerros.

1. Seleccione la altura de corte deseada.
2. Haga arrancar las cuchillas de la segadora enganchando el control del embrague del accesorio.

PARA PARAR LAS CUCHILLAS DE LA SEGADORA – desenganche el control del embrague del accesorio.

⚠ PRECAUCIÓN: No opere la segadora sin, ya sea, el recogedor de césped completo en las segadoras así equipadas o con la protección contra la descarga en su lugar.



FUNCIONAMIENTO ATRÁS

Si tu tractor está equipado con el Sistema de Funcionamiento Atrás (ROS). Cualquier tentativa del operador de viajar marcha atrás con el embrague puesto apagará el motor a menos que la llave de ignición se ponga en la posición de "ON" del ROS.

ATENCIÓN: Ir marcha atrás con el embrague puesto para cortar, no es recomendable. Poniendo el ROS en posición "ON", para permitir el funcionamiento atrás con el embrague puesto, se tiene que hacer sólo cuando el operador lo considera necesario para reposicionar la máquina con el dispositivo embragado. **No siegue en revés a menos que sea absolutamente necesario.**

USAR EL SISTEMA DE FUNCIONAMIENTO ATRÁS -

- Presionar el pedal embrague/freno hasta el fondo y mantenerlo apretado
- Con el motor en marcha, girar la llave del interruptor de la ignición el sentido inverso al de las agujas del reloj hasta la posición "ON"
- Mirar abajo y detrás antes de ir hacia atrás.
- Mover la palanca del cambio en la posición atrás (R) y soltar despacio el pedal del embrague/freno para empezar el movimiento
- Cuando el uso del ROS es más necesario, dé vuelta a la llave de ignición en el sentido al de las agujas del reloj hasta la posición "ON".

Posición ROS "ON"

Motor en posición "ON" (Operación Normal)



PARA OPERAR EN CERROS

⚠ ADVERTENCIA: No maneje hacia arriba o hacia abajo en cerros con pendientes superiores a 15° y no maneje atravesando ninguna pendiente. Utilice la guía de la pendiente proporcionada en la parte posterior de este manual.

- Escoja la velocidad más lenta antes de arrancar hacia arriba o hacia abajo en cerros
- Evite parar o cambiar la velocidad en cerros
- Si es absolutamente necesario el parar, empuje el pedal del embrague/freno rápidamente a la posición de freno y enganche el freno de estacionamiento.
- Mueva la palanca de cambio a primera. Asegúrese que ha dejado suficiente lugar para que el tractor pueda rodar un poco cuando vuelva a empezar el movimiento.
- Para volver a empezar el movimiento, suelte lentamente el freno de estacionamiento y el pedal del embrague/freno.
- Gire siempre lentamente

PARA TRANSPORTAR

- Levante la palanca de levantamiento del accesorio a la posición más alta con el control de levantamiento del accesorio.
- Cuando empuje o arrastre su tractor asegúrese que la palanca de cambio esté en la posición neutro (N).
- No empuje o arrastre el tractor a más de cinco (5) MPH.

AVISO: Para proteger el capó contra el daño cuando transporte su tractor en un camión o remolcador, asegúrese que el capó esté cerrado y asegurado al tractor. Use los medios apropiados para amarrar el capó al tractor (cuerdas, cordeles, etc.)

REMOLQUE DE CARRETILLAS O OTROS ACCESORIOS

Remolque solamente los accesorios recomendados y especificados por el fabricante del tractor. Use sentido común cuando este remolcando. Las cargas pesadas, cuando este yendo sobre una pendiente, son peligrosas, las llantas pueden perder su tracción con el terreno y pueden ocasionar que pierda el control de su tractor.

ANTES DE HACER ARRANCAR EL MOTOR


REVISE EL NIVEL DE ACEITE DEL MOTOR

El motor en su tractor ha sido enviado desde la fábrica lleno con aceite de calidad para verano.

1. Revise el aceite del motor con el tractor en terreno nivelado.
 2. Remueva la tapa/varilla indicadora de nivel de relleno del aceite y límpiela, vuelva a insertar la varilla indicadora de nivel y atornille la tapa hasta que quede apretada, espere por unos cuantos segundos, remuévala y lea el nivel del aceite. Si es necesario, agregue aceite hasta que se haya alcanzado la marca lleno (FULL) en la varilla indicadora de nivel. No lo llene demasiado.
- Para la operación en clima frío, debe cambiar el aceite para poder arrancar más fácilmente (Vea "Tabla de Viscosidad Del Aceite" en la sección de Mantenimiento de este manual).
 - Para cambiar el aceite del motor, vea la sección de Mantenimiento en este manual.

AGREGUE GASOLINA

- Llène el estanque de combustible. Llène hasta la parte inferior del cuello de relleno del estanque de gasolina. No lo llene demasiado. Use gasolina regular, sin plomo, nueva y limpia con el mínimo de 87 octanos. (El uso de gasolina con plomo aumentará los depósitos de óxido de plomo y carbono y se reducirá la duración de la válvula). No mezcle el aceite con la gasolina. Para asegurar que la gasolina utilizada sea fresca compre estanques los cuales puedan ser utilizados durante los primeros 30 días.

 **PRECAUCIÓN:** Limpie el aceite o el combustible derramado. No almacene, derrame o use gasolina cerca de una llama expuesta.
IMPORTANTE: Cuando se opere en temperaturas por debajo de 32°F (0°C) use gasolina de invierno limpia y nueva para asegurar un buen arranque en clima frío

PRECAUCIÓN: Combustibles mezclados con alcohol (conocidos como gasohol, o el uso de etanol o metanol) pueden atraer la humedad, la que conduce a la separación y formación de ácidos durante el almacenamiento. La gasolina ácida puede dañar el sistema del combustible de un motor durante el almacenamiento. Para evitar los problemas con el motor, se debe vaciar el sistema de combustible antes de guardarlo por un período de 30 días o más. Vacíe el estanque de combustible, haga arrancar el motor y hágalo funcionar hasta que las líneas del combustible y el carburador queden vacíos. La próxima temporada use combustible nuevo.

Vea las Instrucciones para el Almacenamiento para más información. Nunca use productos de limpieza para el motor o para el carburador en el estanque del combustible pues se pueden producir daños permanentes.

PARA HACER ARRANCAR EL MOTOR

Al hacer arrancar el motor por la primera vez o si se ha acabado el combustible del motor, se necesitará tiempo para el arranque extra para mover el combustible desde el estanque hasta el motor.

1. Siéntase en el sillón en la posición de operación, suelte el pedal del embrague/freno y ponga el freno de estacionamiento.
2. Ponga la palanca de cambio en la posición de neutro(n).
3. Mueva el embrague del accesorio a la posición desenganchado disengaged.
4. Mueva la palanca de control de la aceleración a la posición de estrangulación.

AVISO: Antes de arrancar, lea las instrucciones siguientes para el arranque en clima frío y templado.

5. Inserte la llave en la ignición y gire la llave en el sentido que giran las manillas del reloj a la posición de arranque start, y suelte la llave tan pronto como arranque el motor. No haga funcionar el arrancador continuamente por más de quince segundos por minuto. Si el motor no arranca después de intentarlo varias veces, mueva el control de la aceleración a la posición de rápido, espere unos cuantos minutos y trate de nuevo. Si el motor sigue sin funcionar, mueva el control de la aceleración a la posición de estrangulación y intente de nuevo.

ARRANQUE CON TIEMPO TEMPLADO (50° Y MÁS)

6. Cuando arranque el motor, mueva el control de la aceleración a la posición de rápido.
- Los accesorios y el embrague ahora pueden ser utilizados. Si el motor no acepta esta carga, vuelva a arrancar el motor para permitirle que se caliente por un minuto utilizando el estrangulador como descrito arriba.

ARRANQUE CON TIEMPO FRÍO (50° Y MENOS)

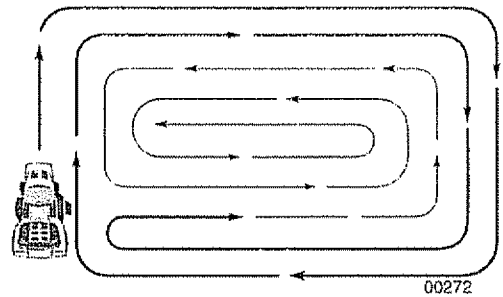
- 6 Al hacer arrancar el motor, mantenga el control de la aceleración a la posición de estrangulación hasta que el motor se caliente y empiece funcionar mal. Una vez que empiece a funcionar mal, mueva inmediatamente el control de la aceleración a la posición rápida. El calentamiento del motor puede tomar a partir de varios segundos a varios minutos (cuanto más fría es la temperatura, más largo es el calentamiento)

- Los accesorios pueden ser utilizados durante el periodo del recalentamiento

AVISO: Si se encuentra a mucha altura (sobre 3000 pies) o en clima frío (por debajo de 32°F [0°C]), la mezcla del combustible del carburador debe ser ajustada para el mejor rendimiento del motor. (Vea "PARA AJUSTAR EL CARBURADOR" en la sección de Servicio y Ajustes de este manual).

CONSEJOS PARA SEGAR

- La segadora debe estar nivelada en forma adecuada para obtener el mejor rendimiento al segar. Vea "PARA NIVELAR LA CAJA DE LA SEGADORA" en la sección de Servicio y Ajustes de este manual.
- El lado izquierdo de la segadora se debe usar para recorte.
- Maneje de modo que los recortes se descarguen en el área que ya ha sido cortada. Mantenga el área de corte a la derecha del tractor. Esto producirá una distribución más pareja de los recortes y un corte más uniforme.
- Al segar las áreas grandes, empiece girando a la derecha de modo que los recortes se descarguen, alejándose de los arbustos, cercos, entradas de automóviles, etc. Después de una o dos vueltas, siegue en la dirección opuesta, haciendo virajes a la izquierda, hasta que termine.



- Si el césped está demasiado alto, se debe segar dos veces para reducir la carga y los posibles peligros de incendio debido a los recortes secos. Haga el primer corte relativamente alto; el segundo a la altura deseada.
- No siegue el césped cuando está mojado. El césped mojado taponará la segadora y dejará montones indeseables. Permita que se seque el césped antes de segar.
- **Siempre opere el motor con una aceleración completa cuando siegue para asegurarse de conseguir un mejor rendimiento y una descarga apropiada de los materiales.** Regule la velocidad de recorrido seleccionando un cambio lo suficientemente bajo para obtener un rendimiento de corte de parte de su segadora y también la calidad del corte deseada.
- Cuando opere con accesorios, seleccione una velocidad de recorrido que se acomode al terreno y le permita obtener el mejor rendimiento del accesorio que se está usando.

MANTENIMIENTO

PROGRAMA DE MANTENIMIENTO		ANTES DE CADA USO	CADA 8 HORAS	CADA 25 HORAS	CADA 50 HORAS	CADA 100 HORAS	CADA TEMPORADA	ALMACENAMIENTO
TRACTOR	Revisar la operación del freno	✓	✓					
	Revisar la presión de las llantas	✓	✓					
	Verifique la commande de présence d'opérateur et le sistema d ROS	✓						
	Revisar si hay sujetadores sueltos	✓				✓		✓
	Affilar/cambiar las cuchillas de la segadora			✓ ₃				
	Tabla de lubricación			✓				✓
	Revisar el nivel			✓ ₄				
	Limpiar la batería y los terminales			✓				✓
	Revisar el enfriamiento del transeje			✓				
	Compruebe La Nivelación Del Cortacésped				✓			
Inspeccione las correas trapecoidales					✓			
MOTOR	Revisar el nivel del aceite del motor	✓	✓					
	Cambiar el aceite del motor (con filtro)				✓ _{1,2}			✓
	Cambiar el aceite del motor (sin filtro)			✓ _{1,2}				✓
	Limpiar el filtro de aire			✓ ₂				
	Limpiar la rejilla de aire			✓ ₂				
	Inspeccionar el silenciador/ amortiguador de chispas				✓			
	Cambiar el filtro de aceite (si equipado)					✓ _{1,2}		
	Limpiar las aletas de enfriamiento					✓ ₂		
	Cambiar la bujía					✓	✓	
	Cambiar el cartucho de papel del filtro de aire					✓ ₂		
Cambiar el filtro de combustible						✓		

- 1- Cambiar más a menudo cuando se opere bajo carga pesada o en ambientes con altas temperaturas.
 2- Dar servicio más a menudo cuando se opere en condiciones sucias o polvorosas.

- 3- Cambiar las cuchillas más a menudo cuando se siegue en suelo arenoso
 4- No requerido si equipado con una batería libre de mantenimiento.

RECOMENDACIONES GENERALES

La garantía de este tractor no cubre los artículos que han estado sujetos al abuso o a la negligencia del operador. Para recibir todo el valor de la garantía, el operador tiene que mantener la segadora según las instrucciones descritas en este manual.

Hay algunos ajustes que se tienen que hacer en forma periódica para poder mantener su tractor adecuadamente.

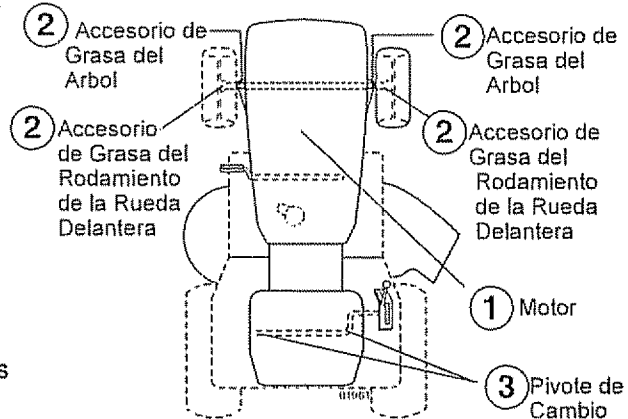
Al menos una vez cada estación comprobar si es necesario efectuar los ajustes descritos en las secciones de Servicio y Ajustes de este manual.

- Una vez al año, cambie la bujía, limpie o cambie el filtro de aire y revise si las cuchillas y las correas están desgastadas. Una bujía nueva y un filtro de aire limpio aseguran una mezcla de aire-combustible adecuada y le ayudan a que su motor funcione mejor y que dure más.

ANTES DE CADA USO

- Revise el nivel del aceite del motor.
- Revise la operación de los frenos.
- Revise la presión de las llantas.
- Verifique que el sistema de presencia del operado y el sistema del ROS funcionen adecuadamente.
- Revise si hay sujetadores sueltos.

TABLA DE LUBRICACIÓN



- 1 Aceite de motor SAE 30 or 10W30
- 2 Grasa de proposito general
- 3 Refierase a la sección del "MOTOR" en Mantenimiento

IMPORTANTE: No aceite o engrase los puntas pivotes, los que tienen rodamientos de nylon especiales. Los lubricantes viscosos atraeran polvo y mugre, lo que acortara la duración de los rodamientos auto-lubricarse, use solamente un lubricante tipo grafito de polvo seco in forma moderada.

TRACTOR

Siempre observe las reglas de seguridad cuando dé mantenimiento.

OPERACIÓN DEL FRENO

Si el tractor exige más de cinco (5) pies para pararse a una velocidad más alta en el cambio más alto en una superficie nivelada de hormigón seco o pavimentada, entonces se debe controlar y ajustar el freno. (Vea "PARA AJUSTAR EL FRENO" en la sección de Servicio y Ajustes de este manual.)

LLANTAS

- Mantenga la presión de aire adecuada en todas las llantas. (Vea "ESPECIFICACIONES DEL PRODUCTO" sección de este manual.)
- Mantenga las llantas sin gasolina, aceite o sustancias químicas para control de insectos que pueden dañar la goma
- Evite los tocones, las piedras, las grietas profundas, los objetos afilados y otros peligros que pueden dañar a las llantas.

AVISO: Para arreglar las llantas perforadas y para prevenir que tenga llantas pinchadas a causa de pequeñas fugas, puede comprar el sello para llantas de su comerciante de partes de repuesto más cercano. El sello previene que las llantas se sequen y también la corrosión.

SISTEMA PRESENCIA OPERADOR Y SISTEMA FUNCIONAMIENTO ATRÁS (ROS)

Asegurarse de que el sistema de presencia del operador y el sistema funcionamiento atrás funcionen bien. Si tu tractor no funciona como descrito, reparar el problema inmediatamente.

- El motor no arrancará si el pedal de embrague/freno está completamente presionado y el mando del embrague del accesorio está desconectado:

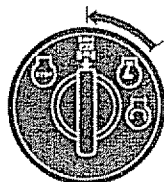
VÉRIFIÉZ SISTEMA PRESENCIA OPERADOR

- Cuando el motor está en marcha, cualquier tentativa del operador de abandonar el asiento sin haber puesto el freno de estacionamiento primero, apagará el motor.
- Cuando el motor está en marcha y el embrague del accesorio está conectado, cualquier tentativa del operador de abandonar el asiento, apagará el motor.
- El embrague del accesorio no tendría que funcionar nunca si el operador no está en su asiento.

VÉRIFIÉZ SISTEMA FUNCIONAMIENTO ATRÁS (ROS)

- Cuando el motor está en marcha con el interruptor de llave en posición de motor "ON" y el embrague del accesorio conectado, cualquier tentativa del operador de viajar marcha atrás, apagará el motor

Posición ROS "ON" Motor en posición "ON" (Operación Normal)



- Cuando el motor está en marcha con el interruptor de llave del sistema de funcionamiento atrás (ROS) en la posición "ON" y el embrague del accesorio conectado, cualquier tentativa del operador de viajar marcha atrás, NO apagará el motor.

CUIDADO DE LA CUCHILLA

Para obtener los mejores resultados, las cuchillas de la segadora deben mantenerse afiladas. Cambie las cuchillas dobladas o dañadas.

PRECAUCIÓN: Usar solamente las hojas de repuesto aprobada por el fabricante de su cortacésped. Usar una hoja no aprobada por el fabricante de su cortacésped es peligroso, puede dañar su cortacésped y anular su garantía.

REMOCIÓN DE LA CUCHILLA

1. Levante la segadora a su posición más alta para permitir el acceso a las cuchillas.

AVISO: Proteja sus manos con guantes y/o envuelva la cuchilla con una tela gruesa.

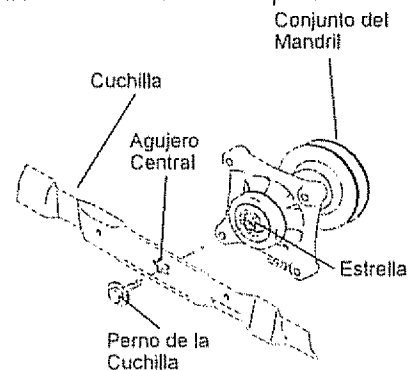
2. Remueva el perno de la cuchilla dándole vueltas en el sentido inverso al de las agujas del reloj.

3. Instale la nueva cuchilla o cuchilla afilada con el estampado "THIS SIDE UP" en la dirección de la segadora y del conjunto del mandril.

IMPORTANTE: Para asegurar la instalación apropiada, posicione el agujero central de la cuchilla con la estrella del conjunto del mandril.

4. Instale y apriete el perno de la cuchilla firmemente (Par 45-55 pies/libras)

IMPORTANTE: El perno de la cuchilla es tratado a calor. Si es necesario sustituir los pernos, sustituirlos sólo con pernos aprobados mostrados en Partes de Reparación.



BATERIA

Su tractor cuenta con un sistema de carga de la batería que es suficiente para el uso normal. Sin embargo, si se carga la batería periódicamente, con un cargador de automóviles, se prolongará su duración.

- Mantenga la batería y los terminales limpios.
- Mantenga los pernos de la batería apretados.
- Mantenga los agujeros de ventilación pequeños abiertos.
- Vuelva a cargar a 6 amperes por 1 hora.

AVISO: La batería del equipo original de su tractor no necesita servicio. No intente abrir o remover las tapas o cubiertas. No es necesario añadir o verificar el nivel del electrólito

PARA LIMPIAR LA BATERIA Y LOS TERMINALES –

La corrosión y la mugre de la batería y de los terminales pueden producir "escapes" de potencia en la batería.

1. Desconecte el cable de la batería NEGRO primero y luego el cable de la batería ROJO y remueva la batería del tractor.
2. Enjuague la batería con agua corriente y séquela.
3. Limpie los terminales y los extremos del cable de la batería con un cepillo de alambre hasta que queden brillantes.
4. Cubra los terminales con grasa o parafina.
5. Reinstale la batería (Vea "Reemplazar la Batería" en la sección de Servicio y ajustes de este manual).

ENFRIAMIENTO DEL TRANSEJE

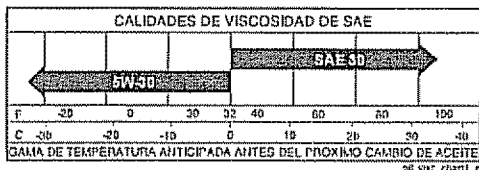
Mantenga el transeje sin acumulación de mugre o paja que puede restringir el enfriamiento.

CORREAS V

Revise las correas V para verificar si existe deterioro y desgaste después de 100 horas y cámbielas si es necesario. Las correas no son ajustables. Cambie las correas si empiezan a deslizarse debido al desgaste.

LUBRICACIÓN

Use solamente aceite de detergente de alta calidad clasificado con la clasificación SG-SL de servicio API. Seleccione la calidad de viscosidad del aceite SAE según su temperatura de operación esperada.



AVISO: A pesar de que los aceites de multi-viscosidad (5W30, 10W30, etc.) mejoran el arranque en clima frío, estos aceites de multiviscosidad van a aumentar el consumo de aceite cuando se usan en temperaturas sobre 32° F (0° C). Revise el nivel del aceite del motor más a menudo, para evitar un posible daño en el motor, debido a que no tiene suficiente aceite.

Cambie el aceite después de 50 horas de operación o por lo menos una vez al año si el tractor se utiliza menos 50 horas el año.

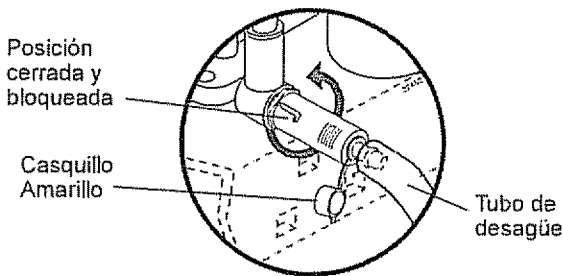
Revise el nivel del aceite del cárter antes de arrancar el motor y después de cada ocho (8) horas de uso continuado. Apriete la tapa del relleno/varilla indicadora de nivel del aceite en forma segura cada vez que revise el nivel del aceite.

PARA CAMBIAR EL ACEITE DEL MOTOR

Determine la gama de la temperatura esperada antes de cambiar el aceite. Todo el aceite debe cumplir con la clasificación de servicio API SG-SL.

- Asegúrese que el tractor esté en una superficie nivelada.
 - El aceite se drenará más fácilmente cuando esté caliente.
 - Recoja el aceite en un envase adecuado.
1. Remueva la tapa/varilla indicadora de nivel para relleno del aceite. Tenga cuidado de no permitir que la mugre entre en el motor cuando cambie el aceite.
 2. Quite el casquillo amarillo de la guarnición inferior de la válvula de desagüe e instale el tubo de desagüe sobre la guarnición.

Válvula de desagüe del aceite



3. Abra la válvula de desagüe empujando hacia dentro y dando vuelta a la izquierda.
4. Para abrirse, tire hacia fuera la válvula de desagüe.
5. Después de que el aceite haya drenado totalmente, cerrar y bloquee la válvula de desagüe empujando hacia dentro y dando vuelta en sentido de las agujas de un reloj hasta que la clavija está en la posición bloqueada según lo mostrado.
6. Remueva el tubo de desagüe y substituya el casquillo sobre la guarnición inferior de la válvula de desagüe.
7. Vuelva a llenar el motor con aceite a través del tubo de la varilla indicadora de nivel para relleno del aceite. Vacíelo lentamente. No lo llene demasiado. Para la capacidad aproximada vea las "Especificaciones del Producto" sección de este manual.

- Use un medidor en la tapa/varilla indicadora del nivel para relleno del aceite para revisar el nivel. Mantenga el aceite en la línea de lleno (FULL) en la varilla indicadora de nivel. Apriete la tapa en el tubo en forma segura cuando termine.

FILTRO DE ACEITE DEL MOTOR

Cambie el filtro de aceite del motor cada temporada o vez por medio que cambie el aceite, si el tractor se usa más de 100 horas en un año.

FILTRO DE AIRE

Su equipo no funcionará correctamente si el filtro de aire está sucio. Cada 25 horas de funcionamiento o en cada temporada, reemplace el pre limpiador; y el cartucho donde viene el papel [service paper cartridge] reemplácelo cada 100 horas de operación o en cada temporada, según el momento en el que primero ello sea necesario.

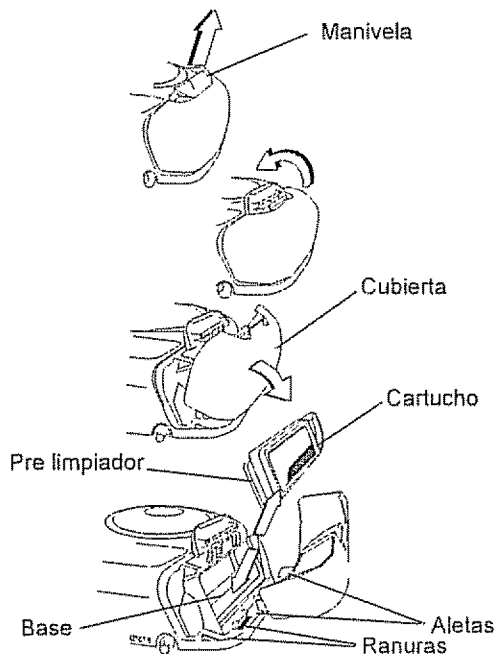
Lo que ocurre con mayor probabilidad es que el limpiador del servicio de aire esté sucio.

- Hale hacia arriba la manivela de la cubierta del filtro de aire y hágala girar en el sentido en el que gira el equipo.
- Quite la cubierta.
- Con mucho cuidado, quite el cartucho del filtro de aire y el pre limpiador de la base.
- Limpie la base con mucho cuidado para evitar que caiga ninguna partícula en el carburador.

AVISO: Si el cartucho está muy sucio o dañado, reemplácelo.

- Coloque firmemente en la base el nuevo pre limpiador y el nuevo cartucho.
- Alinee las aletas de la cubierta con las ranuras de la cajueta del aire y coloque la cubierta de nuevo.
- Enganche la manivela en la cubierta y empuje hacia abajo la manivela para cerrar.

IMPORTANTE: Para limpiar el cartucho no se pueden usar solventes derivados del petróleo, como el keroseno, porque pueden deteriorar el cartucho. No engrase el cartucho; ni use aire a presión para limpiarlo.



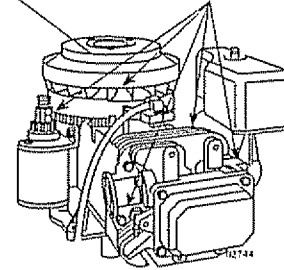
LIMPIEZA DE LA REJILLA DE AIRE

La rejilla de aire debe mantenerse sin mugre y paja para evitar el daño al motor debido al sobrecalentamiento. Límpiela con un cepillo de alambre o con aire comprimido para remover la mugre y las fibras de goma secas, pegadas.

SISTEMA DE ENFRIAMIENTO DE AIRE

Los escombros pueden atascar el sistema de enfriamiento de aire de motor. Remueva la cubierta del soplador y limpie el área mostrada para evitar el recalentamiento y daños al motor.

Rejilla de Aire Limpie el desperdicio y los escombros



SILENCIADOR

Inspeccione y cambie el silenciador corroído y el amortiguador de chispas (si viene equipado) pues pueden crear un peligro de incendio y/o daños.

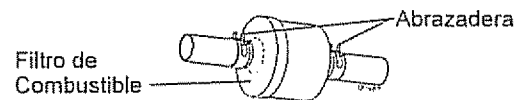
BUJIA(S)

Cambie las bujía(s) al comienzo de cada temporada de siega o después de cada 100 horas de operación, lo que suceda primero. El tipo de bujía y el ajuste de la abertura aparecen en "ESPECIFICACIONES DEL PRODUCTO" sección de este manual.

FILTRO DE COMBUSTIBLE EN LINEA

El filtro de combustible debe cambiarse una vez cada temporada. Si el filtro de combustible se tapona, obstruyendo el flujo del combustible hacia el carburador, es necesario cambiarlo.

- Con el motor frío, remueva el filtro y tapone las secciones de la línea de combustible.
- Ponga el filtro de combustible nuevo en su posición en la línea de combustible con la flecha señalando hacia el carburador.
- Asegúrese de que no hayan fugas en la línea del combustible y que las grapas estén colocadas en forma adecuada.
- Inmediatamente limpie toda la gasolina derramada.



LIMPIEZA

- Limpie todo material extraño del motor, la batería, el asiento, el pulido, etc.
- Mantenga las superficies pulidas y las ruedas sin derrames de gasolina, aceite, etc.
- Proteja las superficies pintadas con cera tipo automotriz.

No recomendamos que se utilice una manguera de jardín o agua a presión para limpiar el tractor a no ser que el motor y la transmisión estén cubiertos para protegerlos del agua.

El agua en el motor y la transmisión acortan la vida útil del tractor. Utilizar aire comprimido o un soplador de hojas para remover hierba, hojas y basura del tractor y cortacéspedes.

SERVICIO Y AJUSTES



ADVERTENCIA: PARA EVITAR LESIONES SERIAS, ANTES DE DAR CUALQUIER SERVICIO O DE HACER AJUSTES:

1. Presione el pedal del embrague/freno completamente y aplique el freno de estacionamiento.
2. Ponga la palanca de cambios en la posición de neutro (N).
3. Ponga el embrague del accesorio en la posición desenganchado (DISENGAGED).
4. Ponga la llave de ignición en la posición de apagado (STOP) y remuévala.
5. Asegúrese que las cuchillas y que todas las partes movibles se hayan detenido completamente.
6. Desconecte el alambre de la bujía y póngalo en donde no pueda entrar en contacto con ésta.

TRACTOR

PARA REMOVER LA SEGADORA

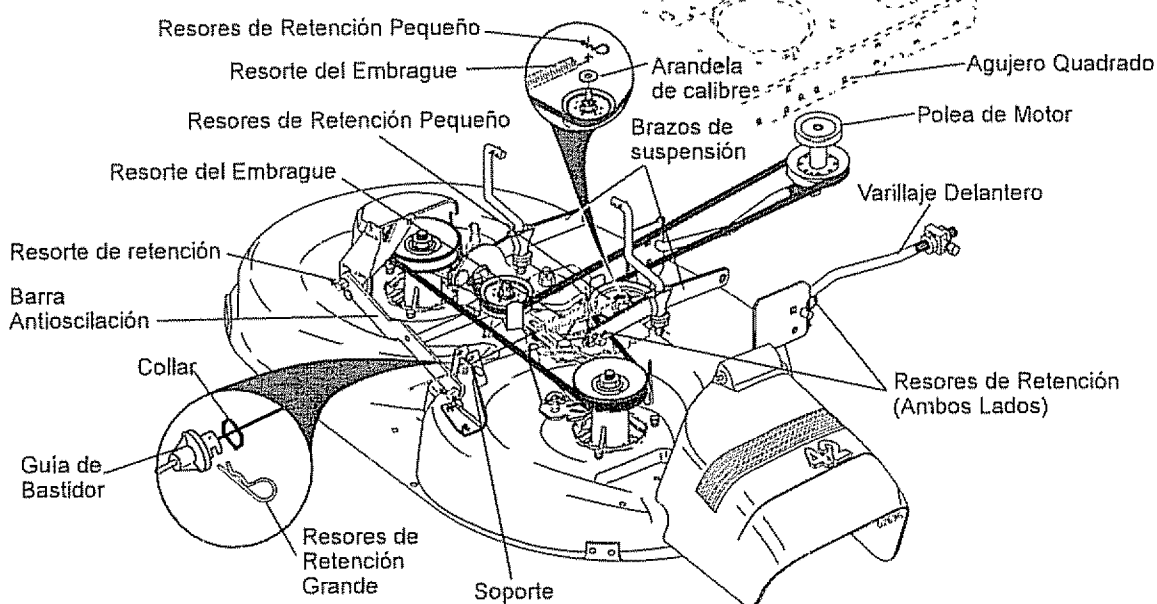
La segadora se podrá remover más fácilmente desde el lado derecho del tractor.

1. Ponga el embrague del accesorio en la posición desenganchado (DISENGAGED).
2. Mueva la palanca de levantamiento del accesorio hacia adelante para bajar la segadora a su posición más baja.
3. Haga rodar la correa fuera de la polea del motor.
4. Remueva el resorte de retención pequeño, y levante el resorte del embrague hacia fuera del perno de la polea.
5. Remueva el resorte de retención grande, deslice el collar hacia fuera y empuje la guía del bastidor hacia afuera del soporte.
6. Desconecte la barra antioscilación del puntal del chasis removiendo el resorte de retención.
7. Desconecte los brazos de suspensión de los puntales del conjunto trasero removiendo los resortes de retención.
8. Desconecte el varillaje delantero del conjunto removiendo los resortes de retención.
9. Levante la palanca de levantamiento para levantar los brazos de suspensión. Deslice la segadora hacia afuera desde devajo del tractor.

IMPORTANTE: Si cualquier otro accesorio que no sea la segadora tiene que ser montado en el tractor, se deben remover los brazos de suspensión del lado derecho y del lado izquierdo y el puntal de suspensión delantero.

PARA INSTALAR LA SEGADORA

1. Levante la palanca de levantamiento del accesorio a su posición más alta.
2. Deslice el conjunto segador hacia debajo del tractor con la protección contra la descarga hacia el lado derecho del tractor.
3. Baje la palanca de levantamiento a su posición más baja.
4. Conecte las conexiones delanteras a la cubierta de la segadora y asegúrelas con los resortes de retención.
5. Conecte los brazos de suspensión a los soportes posteriores de la cubierta y asegúrelos con los resortes de retención.
6. Conecte la barra de anti-vibración al soporte del chasis y asegúrelo con el resorte de retención.
7. Empuje la guía de la cubierta del cable del embrague en el soporte, deslice el collar sobre la guía y asegúrela con el resorte grande de retención.
8. Coloque la arandela plana y el resorte del embrague en el perno de la polea-guía y asegúrelos con el resorte pequeño de retención.
9. Instale de la correa sobre de la polea del motor.



PARA NIVELAR LA CAJA DE LA SEGADORA

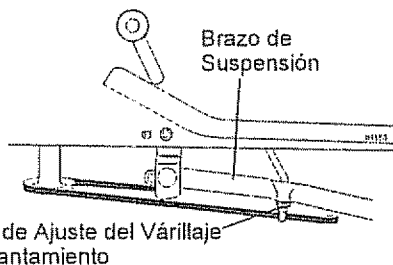
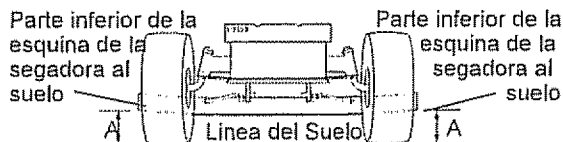
Ajuste la segadora mientras que el tractor esté estacionado en terreno nivelado o en la entrada de autos. Asegúrese que las llantas estén infladas en forma adecuada (vea las "ESPECIFICACIONES DEL PRODUCTO" sección). Si las llantas están demasiado infladas o no están infladas lo suficiente, no podrá ajustar su segadora en forma adecuada.

AJUSTE DE LADO A LADO

- Levante la segadora a su posición más alta.
- A media distancia de ambos lados de la segadora, mida la altura desde la parte inferior del extremo de la segadora al suelo. La distancia "A" debe ser la misma o dentro de 6mm (1/4") de la una a la otra.
- Si el ajuste es necesario, haga el ajuste en un lado de la segadora solamente.
- Levante un lado de la segadora por apretar la tuerca de ajuste del varillaje de levantamiento en ese lado.
- Baje un lado de la segadora por desapretar la tuerca de ajuste del varillaje de levantamiento en ese lado.

AVISO: Cada vuelta completa de la tuerca de ajuste cambiará la altura de la segadora en aproximadamente 1/8".

- Vuelva a revisar las medidas después del ajuste.



AJUSTE DESDE ADELANTE HACIA ATRÁS

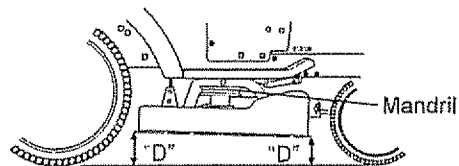
IMPORTANTE: El conjunto tiene que ser nivelado de lado a lado. Si el ajuste desde adelante hacia atrás siguiente es necesario, asegúrese de ajustar ambos varillajes delanteros igualmente de modo que la segadora quede nivelada de lado a lado.

Para obtener los mejores resultados en el corte, la caja de la segadora tiene que ajustarse de modo que la parte delantera quede aproximadamente 1/8" a 1/2" más baja que la trasera cuando la segadora se encuentre en su posición más alta. Revise el ajuste en el lado derecho del tractor.

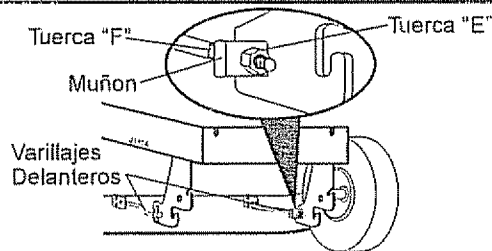
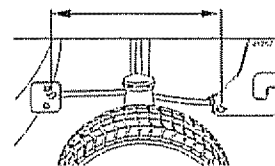
Mida la distancia "D" directamente en la parte delantera y detrás del mandril en el borde inferior de la caja de la segadora, según se muestra.

- Antes de hacer cualquier ajuste necesario, revise que ambos varillajes delanteros tengan la misma longitud.

- Si los varillajes no tienen la misma longitud, ajuste un varillaje a la misma longitud que el otro.
- Para bajar la parte delantera de la segadora, suelte la tuerca "E" en ambos varillajes delanteros la misma cantidad de vueltas.
- Cuando la distancia "D" sea de 1/8" a 1/2" más baja en la parte delantera que en la trasera, apriete las tuercas "F" en contra del muñón en ambos varillajes delanteros.
- Para levantar la parte delantera de la segadora, suelte la tuerca "F" del muñón en ambos varillajes delanteros. Apriete la tuerca "E" en ambos varillajes delanteros la misma cantidad de vueltas. Las dos conexiones delanteras deben permanecer iguales en longitud.
- Cuando la distancia "D" sea de 1/8" a 1/2" más baja en la parte delantera que en la trasera, apriete la tuerca "F" en contra del muñón en ambos varillajes delanteros.
- Vuelva a revisar el ajuste de lado a lado.



Los Varillajes Delanteros Deben Ser De Igual Longitud



PARA CAMBIAR LA CORREA DE IMPULSIÓN DE LA CUCHILLA SEGADORA

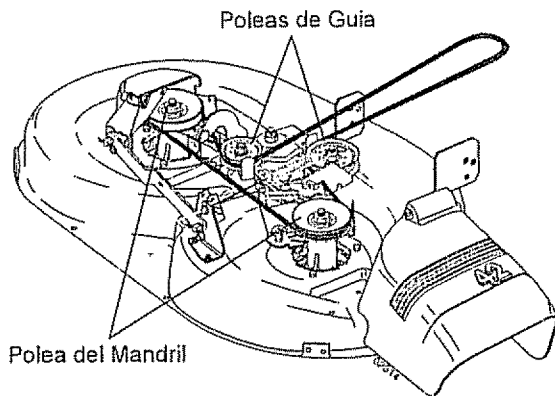
La correa de impulsión de la cuchilla segadora se puede cambiar sin herramientas. Estacione el tractor en una superficie nivelada. Enganche el freno de estacionamiento.

REMOCIÓN DE LA CORREA -

1. Remueva la segadora del tractor (Vea "PARA REMOVER LA SEGADORA" de esta sección de este manual).
2. Haga salir la correa de las poleas del mandril y de las poleas de guía.
3. Tire la correa alejándola de la segadora.

INSTALACIÓN DE LA CORREA

1. Haga rodar la correa alrededor de ambas poleas del mandril y de las poleas-guías.
2. Asegúrese las correas estén en todas las ranuras de las poleas y al interior todas las guías de la correa.
3. Instale la segadora (véa "PARA INSTALAR LA SEGADORA" en esta sección de este manual).



CONTROLAR Y AJUSTAR EL FRENO

Su tractor viene equipado con un sistema de freno ajustable que está montado en el lado derecho del transeje.

Si el tractor exige más de cinco (5) pies para pararse a una velocidad más alta en el cambio más alto en una superficie nivelada de hormigón seco o pavimentada, entonces se debe controlar y ajustar el freno.

CONTROL DEL FRENO

1. Aparcar el tractor en una superficie nivelada de hormigón seco o pavimentada, presionar el pedal del embrague/freno hasta el fondo y accionar el freno de estacionamiento.
2. Colocar la palanca de transmisión en la posición neutra (N).

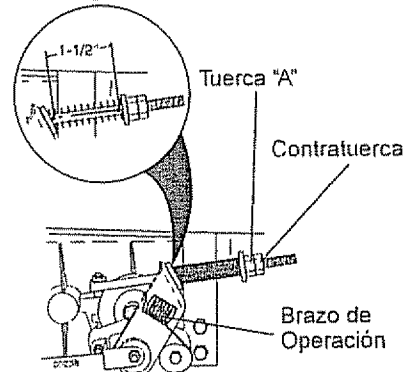
Las ruedas traseras tienen que bloquearse y patinar cuando se intenta empujar hacia adelante el tractor manualmente. Si las ruedas traseras giran, es necesario ajustar el freno o sustituir las zapatas.

AJUSTE DEL FRENO

1. Presionar el pedal del embrague/freno hasta el fondo y accionar el freno de estacionamiento.
2. Medir la distancia entre el brazo de funcionamiento del freno y la tuerca "A" en la carilla del freno.
3. Si la distancia es distinta que 1-1/2", suelte la contratuerca y gire la tuerca "A" hasta que la distancia sea de 1-1/2". Vuelva a apretar la contratuerca en contra de la tuerca "A".

4. Pruebe el tractor en el camino para verificar si existe la distancia de parada adecuada, según se ha establecido anteriormente. Vuelva a ajustarla si es necesario. Si la distancia de parada es aún mayor que los cinco (5) pies en el cambio más alto, es necesario hacer más mantenimiento. Sustituir las zapatas del freno o contactar con Sears o con un otro centro de servicio cualificado.

CON el freno de estacionamiento enganchado (engaged)



PARA CAMBIAR LA CORREA DE IMPULSIÓN DE MOVIMIENTO

Estacione el tractor en una superficie nivelada. Enganche el freno de estacionamiento. Para ayuda, existe una calcomanía para guiarlo en la instalación de la correa en el lado inferior del descanso para pies izquierdo.

PARA REMOVER LA CORREA -

1. Remueva la segadora (vea "PARA REMOVER LA SEGADORA" en esta sección de este manual).

AVISO: Examine completamente la correa de impulsión y las posiciones de todas las guías y de los fijadores.

2. Remueva la correa de la guía estacionaria y de la guía de embrague.
3. Remueva la correa hacia abajo desde alrededor de la polea del motor.
4. Tire la soltura de la correa hacia la parte trasera del tractor. Remueva la correa hacia arriba desde la polea del transeje al desviar los fijadores de la correa.
5. Remueva la correa desde el fijador del tramo centro y tirela a distancia del tractor.

INSTALACIÓN DE LA CORREA -

1. Mueva cuidadosamente la correa nueva entre los fijadores de la correa de motor y sobre la polea de entrada.
2. Deslice la correa dentro del fijador central del tramo.
3. Tire la correa hacia la parte delantera del tractor y deslicela alrededor de la ramura superior de la polea del motor.
4. Instale la correa a través de la guía estacionaria y de la guía de embrague.
5. Asegúrese que la correa este en todas las muescas de la polea y adentro de las guías y los fijadores de la correa.
6. Instale la segadora (Vea "PARA INSTALAR LA SEGADORA" en esta sección de este manual).

PARA HACER ARRANCAR EL MOTOR CON UNA BATERÍA BAJA

⚠️ ADVERTENCIA: Las baterías de ácido-plomo generan gases explosivos. Mantenga las chispas, las llamas y los materiales para fumar alejados de las baterías. Siempre use una protección para los ojos alrededor de las baterías. Si su batería está demasiado baja como para hacer arrancar el motor tiene que volverse a cargar. (Vea "Batería" en la sección de Mantenimiento de este manual).

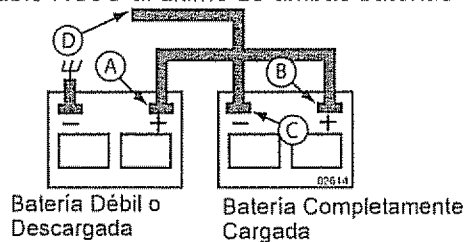
Si se usan "cables de empalme" para un arranque de emergencia, siga este procedimiento:

IMPORTANTE: Su tractor esta equipado con un sistema de 12 volts. El otro vehículo también tiene que tener un sistema de 12 volts. No use la batería de su tractor para hacer arrancar a otros vehículos. **PARA ADJUNTAR LOS CABLES DE EMPALME -**

1. Conecte cada extremo del cable ROJO con el terminal (A-B) POSITIVO (+) de cada batería, preocupándose de no hacer cortocircuito en el chasis.
2. Conecte un extremo del cable NEGRO con el terminal (C) NEGATIVO (-) de una batería completamente cargada.
3. Conecte el otro extremo del cable (D) NEGRO con una buena CONEXIÓN A TIERRA DEL CHASIS, alejado del estanque de combustible y de la batería.

PARA REMOVER LOS CABLES, INVIERTA EL ORDEN

1. El cable NEGRO primero del chasis y luego de la batería completamente cargada.
2. El cable ROJO al último de ambas baterías.

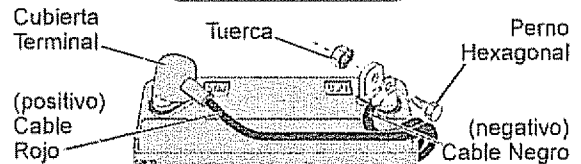
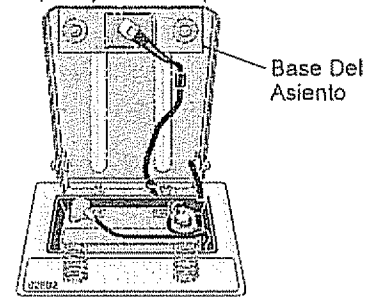


REEMPLAZAR LA BATERIA

⚠️ ADVERTENCIA: No haga cortocircuito con los terminales de la batería al permitir que una llave de tuerca o cualquier otro objeto entre en contacto con ambos terminales a la misma vez. Antes de instalar la batería remueva las pulseras de metal, los relojes de pulsera de metal, los anillos, etc. El terminal positivo tiene que conectarse primero para evitar las chispas debido a la conexión a tierra por accidente.

1. Levante la base del asiento a la posición levantada.
2. Desconecte el cable de la batería NEGRO primero y luego el cable de la batería ROJO y remueva la batería del tractor.
3. Instale la nueva batería con los terminales en misma posición como la batería vieja.
4. Primero, conecte el cable de la batería ROJO con el terminal positivo (+) con el perno hexagonal y la tuerca según se muestra. Apriételes en forma segura. Deslice la cubierta terminal sobre el terminal

5. Conecte el cable de conexión a tierra NEGRO al terminal negativo (-) con el perno hexagonal y la tuerca que queden. Apriételes en forma segura.



PARA CAMBIAR LA BOMBILLA DE LA LUZ DELANTERA

1. Levante el capó.
2. Tire el sujetador de la bombilla fuera del agujero en la parte trasera del enrejado.
3. Cambie la bombilla en el sujetador y empuje el sujetador de la bombilla, en forma segura, hacia atrás en el agujero en la parte trasera del enrejado.
4. Cierre el capó.

ENTRECIERRE Y RELÉS

El alambrado suelto o dañado puede producir el mal funcionamiento de su tractor, o que deje de funcionar, o le impida el arrancar.

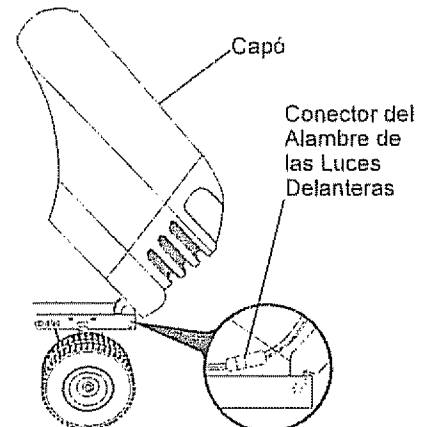
- Revise el alambrado. Vea el diagrama del alambrado eléctrico en la sección de Partes de Repuesto.

PARA CAMBIAR EL FUSIBLE

Cámbielo por un fusible tipo enchufable de 20 amps, tipo automotriz. El sujetador del fusible está ubicado detrás del tablero.

PARA REMOVER EL CONJUNTO DEL CAPÓ Y DEL ENREJADO

1. Levante el capó.
2. Desabroche el conector del alambre de las luces delanteras.
3. Párese delante del tractor. Agarre el capó en los lados, inclínelo un poco hacia el motor y sáquelo del tractor.
4. Para volver a instalar el capó, asegúrese de volver a conectar el conector del alambre de las luces.



MOTOR

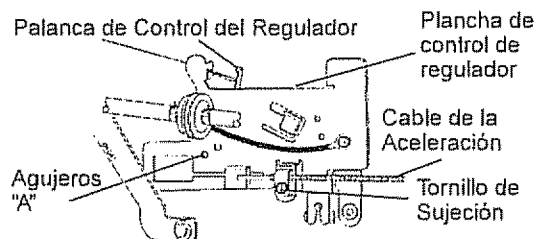
El mantenimiento, la reparación, o el reemplazo de cualquier dispositivos o sistemas del control de la emisión, los cuales sean hechos al costo del cliente, pueden ser realizados por cualquier individuo o establecimiento de reparación de motor. Los reparos que caen bajo garantía deben ser realizados por un establecimiento de servicio de reparación de motor autorizado.

PARA AJUSTAR EL CABLE DE CONTROL DE LA ACELERACIÓN

El control de la aceleración ha sido preajustado en la fábrica y no debería necesitar ajustes.

Revise los ajustes que se describen a continuación, antes de soltar el cable. Si el ajuste es necesario, proceda según lo siguiente:

1. Con el motor sin funcionar, mueva la palanca de control de la aceleración desde la posición de lento a la de estrangulación. Lentamente, mueva la palanca desde la posición de estrangulación a la de rápido.
2. Revise que los agujeros "A" en la palanca de control del regulador y el agujero en la plancha del regulador estén alineados. Si los agujeros "A" no lo están, suelte el tornillo de sujeción y mueva el cable de la aceleración hasta que los agujeros queden alineados. Apriete el tornillo de sujeción en forma segura.



PARA AJUSTAR EL CARBURADOR

AVISO: El carburador de este motor de de emisión baja. Esta equipado con una válvula de mezcla en vacío con un capuchón limitador, la cual permite que se puedan hacer algunos ajustes entre los límites del capuchón.

El carburador ha sido preajustado en la fábrica y no debería necesitar ajustes. Sin embargo, se pueden necesitar ajustes de menor importancia para compensar por las diferencias en el combustible, temperatura, altura o carga. Si el carburador necesita ajustes, proceda según lo siguiente:

En general, si se gira la válvula de mezcla en vacío hacia **adentro** (en el sentido de las manillas del reloj) se disminuye el suministro de combustible que va al motor, entregando una mezcla de combustible/aire más pobre. Si se gira la válvula de mezcla en vacío hacia **afuera** (en el sentido contrario a las manillas del reloj) se aumenta el suministro de combustible que va al motor entregando una mezcla de combustible/aire más rica.

IMPORTANTE: Se puede dañar la válvula de aguja y el asiento en el carburador si el tornillo esta muy apretado hacia adentro.

AJUSTE PRELIMINAR –

1. El conjunto del filtro de aire tiene que montarse en el carburador cuando se hagan los ajustes en éste.
2. Asegúrese que el cable de control de la aceleración esté ajustado en forma adecuada (vea lo anterior).

AJUSTE FINAL –

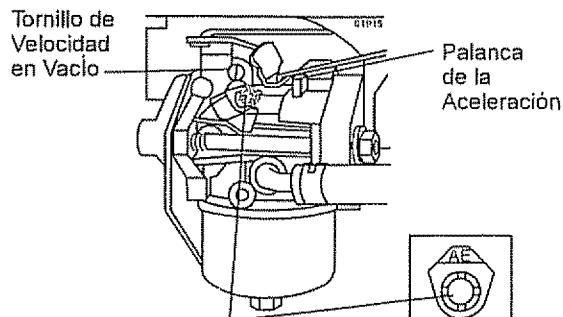
1. Haga arrancar el motor y permita que se caliente por cinco minutos. Haga los ajustes finales con el motor funcionando y con la palanca de control de cambio/movimiento en la posición de neutro (N).
2. Mueva la palanca de control de la aceleración a la posición de lento. Con el dedo, rote y sujete la palanca de la aceleración en contra del tornillo de la velocidad en vacío. Gire el tornillo de la velocidad en vacío para que logre 1750 RPM.
3. A la misma vez que este teniendo el mango de control de la aceleración en contra del tornillo de corriente reactiva, gire la válvula de mezcla en vacío completamente en la dirección de las agujas de un reloj y en seguida de la otra dirección hasta que el motor empiece a funcionar mal. Gire la válvula a un punto central entre las dos posiciones. Suelte la palanca del control de la aceleración.

PRUEBA DE LA ACELERACIÓN –

4. Mueva la palanca de control de la aceleración desde la posición de lento a la de rápido. Si el motor titubea o se para, gire la válvula de la mezcla en vacío hacia **afuera** (en el sentido contrario a las manillas del reloj) 1/8 de vuelta. Repita la prueba y continúe, si es necesario, hasta que el motor acelere en forma pareja.

El tope de alta velocidad ha sido ajustado en la fábrica. No lo ajuste – se pueden producir daños.

IMPORTANTE: Nunca manipule el regulador del motor, el que ha sido ajustado en la fábrica para la velocidad del motor adecuada. Puede ser peligroso hacer funcionar el motor a una velocidad por sobre el ajuste de alta velocidad de la fábrica. Si cree que la velocidad alta regulada del motor necesita ajuste, pongase en contacto con un centro de servicio Sears o con un otro centro de servicio cualificado, el que cuenta con el equipo adecuado y la experiencia para hacer los ajustes necesarios.



Haga Marchar en Vacío la Válvula de Mezcla con el Limitador de Corriente

ALMACENAMIENTO

hose parts left
of your tractor
correct tools as

5/16 Hex Bolt

5/16 Lock
Washer

Large Flat
Washer

Steering
Boot

Tabs

Extension
Shaft

Tab
Slots

Remove any
old tires where

Make adjustment

Use flat washer
and packing and
tighten seat to tractor

Remove from the
cover the card-
board

Remove head of shoulder
and large slotted

Slide shoulder
towards rear of

Remove and assemble
washer loosely.

Inmediatamente prepare su tractor para el almacenamiento al final de la temporada o si el tractor no se va a usar por 30 días o más.

ADVERTENCIA: Nunca almacene el tractor con gasolina en el estanque dentro de un edificio en donde los gases pueden alcanzar una llama expuesta o una chispa. Permita que el motor se enfríe antes de almacenarlo en cualquier recinto privado.

TRACTOR

Remueva la segadora del tractor para el almacenamiento por el invierno. Cuando la segadora se va a almacenar por cierto período de tiempo, límpiela cuidadosamente, quite toda la mugre, la grasa, las hojas, etc. Guárdela en una área limpia y seca.

1. Limpie todo el tractor (vea "LIMPIEZA" en la sección de Mantenimiento en este manual).
2. Inspeccione y cambie las correas, si es necesario (vea las instrucciones para el cambio de las correas en la sección de Servicio y Ajustes de este manual).
3. Lubríquelo, según se muestra en la sección de Mantenimiento de este manual.
4. Asegúrese que todas las tuercas, los pernos y los tornillos estén sujetos en forma segura. Inspeccione las partes móviles para verificar si hay daño, rotura o desgaste. Cámbielas si es necesario.
5. Retoque todas superficies pintadas oxidadas o picadas; aplique lija antes de pintar.

BATERÍA

- Cargue la batería completamente antes de guardarla.
- Después de cierto período de tiempo en almacenamiento, la batería puede necesitar volver a cargarse.
- Para ayudar a evitar la corrosión y las fugas de potencia durante largos períodos de almacenamiento, se deben desconectar los cables de la batería y se debe limpiar cuidadosamente (vea "PARA LIMPIAR LA BATERÍA Y LOS TERMINALES" en la sección de Mantenimiento de este manual).
- Después de limpiarla, deje los cables desconectados y póngalos en donde no puedan entrar en contacto con los terminales de la batería.
- Si se remueve la batería del tractor para el almacenamiento, no la guarde directamente sobre concreto o sobre superficies húmedas.

MOTOR

SISTEMA DE COMBUSTIBLE

IMPORTANTE: Es importante evitar que se formen depósitos de goma en partes fundamentales del sistema de combustible tales como el carburador, el filtro del combustible, la manguera del combustible mezclados con alcohol (conocido como gasohol o que tienen

etanol o metanol) pueden atraer humedad, lo que conduce a la separación y a la formación de acidos durante el almacenamiento. La gasolina ácida puede dañar el sistema de combustible de un motor durante el periodo de almacenamiento.

- Vacíe el depósito del carburante poniendo en marcha el motor y dejándolo funcionar hasta que el carburante termine el carburador esté vacío.
- Nunca use los productos para limpieza del carburador o del motor en el estanque de combustible pues se pueden producir daños permanentes.
- Use combustible nuevo la próxima temporada.

AVISO: El estabilizador de combustible es una alternativa aceptable para reducir a un mínimo la formación de depósitos de goma en el combustible durante el período de almacenamiento. Agregue estabilizador a la gasolina en el estanque de combustible o en el envase para el almacenamiento. Siempre siga la proporción de mezcla que se encuentra en el envase del estabilizador. Haga funcionar el motor por lo menos 10 minutos después de agregar el estabilizador, para permitir que éste llegue al carburador. No vacíe la gasolina del estanque de gasolina y el carburador si se está usando estabilizador de combustible.

ACEITE DEL MOTOR

Drene el aceite (con el motor caliente) y cámbielo con aceite de motor limpio. (Vea "MOTOR" en la sección de Mantenimiento de este manual.)

CILINDRO(S)

1. Remueva la(s) bujía(s).
2. Vacíe una onza de aceite a través del agujero(s) de la bujía en el cilindro(s).
3. Gire la llave de ignición a la posición de "ARRANQUE" (START), por unos cuantos segundos para distribuir el aceite.
4. Cambie por bujía(s) nueva(s).

OTROS

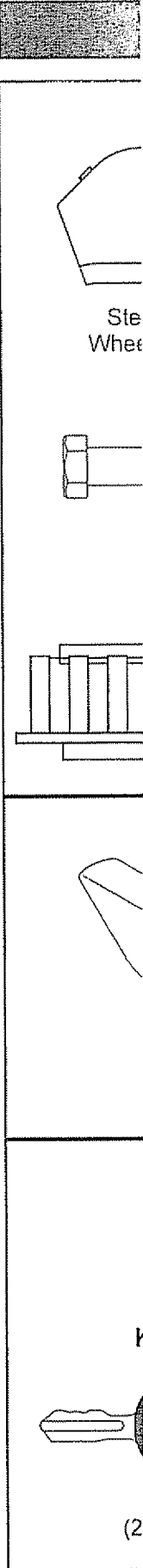
- No guarde la gasolina de una temporada a la otra.
- Cambie el envase de la gasolina si se empieza a oxidar. La oxidación y/o la mugre en su gasolina producirán problemas.
- Si es posible, guarde su unidad en un recinto cerrado y cúbrala para protegerla contra el polvo y la mugre.
- Cubra su unidad con un forro protector adecuado que no retenga la humedad. No use plástico. El plástico no puede respirar, lo que permite la formación de condensación, lo que producirá la oxidación de su unidad.

IMPORTANTE: Nunca cubra el tractor mientras el motor y las áreas de escape todavía están calientes.

IDENTIFICACIÓN DE PROBLEMAS:

Vea la sección apropiada en el manual a menos que esté dirigido a un centro de servicio Sears.

PROBLEMA	CAUSA	CORRECCIÓN
No arranca	<ol style="list-style-type: none"> Sin combustible. Motor sin la "ESTRANGULACIÓN" (CHOKE) adecuada. Motor ahogado. Bujía mala. Filtro de aire sucio. Filtro de combustible sucio. Agua en el combustible. Alambrado suelto o dañado. Carburador desajustado Válvulas del motor desajustadas. 	<ol style="list-style-type: none"> Llene el estanque de combustible. Vea "PARA ARRANCAR EL MOTOR" en la sección de operación Espere varios minutos antes de tratar de arrancar. Cambie la bujía. Limpie/cambie el filtro de aire. Cambie el filtro de combustible. Vaciar el estanque de combustible y el carburador, vuelva a llenar el estanque con gasolina nueva cambie el filtro de combustible. Revise todo el alambrado. Vea "Para ajustar el Carburador" en la sección de Servicio y Ajustes. Pongase en contacto con un centro de servicio Sears o con un otro centro de servicio cualificado.
Difícil de arrancar	<ol style="list-style-type: none"> Filtro de aire sucio. Bujía mala. Batería baja o descargada. Filtro de combustible sucio. Combustible rancio o sucio. Alambrado suelto o dañado. Carburador desajustado. Válvulas del motor desajustadas. 	<ol style="list-style-type: none"> Limpie/cambie el filtro de aire. Cambie la bujía. Vuelva a cargar o cambie la batería. Cambie el filtro de combustible. Vaciar el estanque de combustible y vuelva a llenarlo con gasolina nueva. Revise todo el alambrado. Vea "Para ajustar el Carburador" en la sección de Servicio y Ajustes. Pongase en contacto con un centro de servicio Sears o con un otro centro de servicio cualificado.
El motor no da vuelta	<ol style="list-style-type: none"> Pedal del embrague/freno no presionado. El embrague del accesorio está enganchado. Batería baja o descargada. Fusible quemado. Terminales de la batería corroídos. Alambrado suelto o dañado. Interruptor de la ignición fallado. Solenoides o arrancador fallados. Interruptor(es) que exige(n) la presencia del operador fallado. 	<ol style="list-style-type: none"> Presione el pedal del embrague/freno. Desenganche el embrague del accesorio. Vuelva a cargar o cambie la batería. Cambie el fusible. Limpie los terminales de la batería. Revise todo el alambrado. Revise/cambie el interruptor de la ignición. Revise/cambie el solenoide o arrancador. Póngase en contacto con un centro de servicio Sears o con un otro centro de servicio cualificado.
El motor suena pero no arranca	<ol style="list-style-type: none"> Batería baja o descargada. Terminales de la batería corroídos. Interruptor de la ignición. Solenoides o arrancador fallados. 	<ol style="list-style-type: none"> Vuelva a cargar o cambie la batería. Limpie los terminales de la batería. Revise todo el alambrado. Revise/cambie el solenoide o arrancador.
Pérdida de fuerza	<ol style="list-style-type: none"> Corta mucho césped, muy rápido. Aceleración en la posición de "ESTRANGULACIÓN" (CHOKE). 	<ol style="list-style-type: none"> Eleve la altura de corte. Ajuste el control de la aceleración.



IDENTIFICACIÓN DE PROBLEMAS:

Vea la sección apropiada en el manual a menos que esté dirigido a un centro de servicio Sears.

PROBLEMA	CAUSA	CORRECCIÓN
Pérdida de fuerza (continuado)	3. Acumulación de césped, hojas y basura debajo de la segadora 4. Filtro de aire sucio. 5. Nivel de aceite bajo/aceite sucio. 6. Bujía fallada. 7. Filtro de combustible sucio 8. Combustible rancio o sucio. 9. Agua en el combustible. 10. Alambre de la bujía suelto. 11. Rejilla/aletas de aire del motor sucias 12. Silenciador sucio/taponado. 13. Alambre suelto o dañado. 14. Carburador desajustado. 15. Válvulas del motor desajustadas.	3. Limpie la parte inferior de la caja de la segadora 4. Limpie/cambie el filtro de aire. 5. Revise el nivel de aceite/cambie el aceite. 6. Limpie y vuelva a ajustar la abertura o cambie la bujía 7. Cambie el filtro de combustible. 8. Vaciar el estanque de combustible y vuelva a llenarlo con gasolina nueva. 9. Vaciar el estanque de combustible y el carburador, vuelva a llenar el estanque con gasolina nueva y cambie el filtro de combustible. 10. Conecte y apriete el alambre de la bujía. 11. Limpie las rejilla/aletas de aire del motor 12. Limpie/cambie el silenciador. 13. Revise todo el alambre. 14. Vea "Para ajustar el Carburador" en la sección de Servicio y Ajustes. 15. Pongase en contacto con un centro de servicio Sears o con un otro centro de servicio cualificado
Vibración excesiva	1. Cuchilla desgastada, doblada o suelta. 2. Mandril de la cuchilla doblado. 3. Parte(s) suelta(s)/dañada(s)	1. Cambie la cuchilla. Apriete el perno de la cuchilla. 2. Pongase en contacto con un centro de servicio Sears o con un otro centro de servicio cualificado. 3. Apriete la(s) parte(s). Cambie las partes dañadas.
El tractor se pone en marcha atrás	1. El sistema de funcionamiento atrás (ROS) no está "ON".	1. Girar el ROS en la posición "ON". Vea la sección de operación.
El motor continúa funcionando cuando el operador se baja del asiento con el embrague del accesorio enganchado	1. Sistema de control que exige la presencia del operador – seguridad fallado	1. Revise el alambre, los interruptores y las conexiones. Si no están correctas, pongase en contacto con un centro de servicio Sears o con un otro centro de servicio cualificado.
Ma corte-disparejo	1. Cuchilla desgastada, doblada o suelta. 2. El conjunto segador no está nivelado 3. Acumulación de césped, hojas y basura debajo de la segadora. 4. Mandril de la cuchilla doblado. 5. Los agujeros de ventilación del conjunto segador taponados debido a la acumulación de césped, hojas y basura alrededor de los mandriles.	1. Cambie la cuchilla. Apriete el perno de la cuchilla. 2. Nivele el conjunto segador. 3. Limpie la parte inferior de la caja de la segadora 4. Pongase en contacto con un centro de servicio Sears o con un otro centro de servicio cualificado. 5. Limpie alrededor de los mandriles para abrir los de ventilación.

IDENTIFICACIÓN DE PROBLEMAS:

Vea la sección apropiada en el manual a menos que esté dirigido a un centro de servicio Sears.

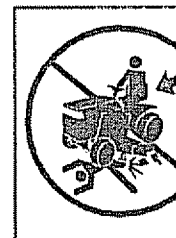
PROBLEMA	CAUSA	CORRECCIÓN
Las cuchillas segadoras no rotan	<ol style="list-style-type: none"> Obstrucción en el mecanismo del embrague. La correa de impulsión de la segadora está desgastada/dañada. Polea de guía atascada Mandril de la cuchilla atascado. 	<ol style="list-style-type: none"> Remueva la obstrucción. Cambie la correa de impulsión de la segadora. Cambie la polea de guía Pongase en contacto con un centro de servicio Sears o con un otro centro de servicio cualificado.
Malá descarga del césped	<ol style="list-style-type: none"> Velocidad del motor muy lenta Velocidad de recorrido demasiado rápida. Césped mojado. El conjunto segador no está nivelado. Presión de aire de las llantas baja o desapareja Cuchilla desgastada, doblada o suelta. Acumulación de césped, hojas y basura debajo de la segadora. La correa de impulsión de la segadora está desgastada o desajustada. Las cuchillas están mal con instaladas. Cuchillas inadecuadas en uso. Los agujeros de ventilación del conjunto agujeros segador taponados debido a la acumulación de césped, hojas y basura alrededor de los mandriles. 	<ol style="list-style-type: none"> Ponga el control de la aceleración en la posición de "RÁPIDO" (fast). Cambie a una velocidad más lenta. Permita que se seque el césped antes de segar. Nivele el conjunto segador Revise las llantas para verificar que tienen la presión de aire adecuada. Cambie/afile la cuchilla. Apriete el perno de la cuchilla. Limpie la parte inferior de la caja de la segadora. Cambie/ajuste la correa de impulsión de la segadora. Vuelva a instalar las cuchillas el borde afilado hacia abajo Cambie por las cuchillas enumeradas en este manual. Limpie alrededor de los mandriles para abrir los de ventilación.
Las luz (ces) delantera(s) no está(n) funcionando (si equipadas)	<ol style="list-style-type: none"> El interruptor está "APAGADO" (OFF). Bombilla(s) o lámpara(s) quemadas. Interruptor de la luz fallado. Alambrado suelto o dañado. Fusible quemado. 	<ol style="list-style-type: none"> "ENCIENDA" (ON) el interruptor. Cambie la bombilla(s) o lámpara(s). Revise/cambie el interruptor de la luz. Revise el alambrado y las conexiones. Cambie el fusible.
La batería no carga	<ol style="list-style-type: none"> Elemento(s) de la batería malo(s). Malas conexiones de conexiones. Regulador fallado (si equipado). Alternador fallado. 	<ol style="list-style-type: none"> Cambie la batería. Revise/limpie todas las cables. Cambie el regulador Cambie el alternador.
El motor tiene "contraexplosiones" cuando se "APAGA"	<ol style="list-style-type: none"> El control de la aceleración del motor no fue ajustado en la posición de velocidad media y máxima (rápida) antes de parar el motor. 	<ol style="list-style-type: none"> Mueva el control de la aceleración a la posición de velocidad media y máxima (rápida) antes de parar el motor.



- Remove gear truck or traffic if this is r equipment than from
- Keep the of the fuel all times u use a nozzle
- If fuel is spi immediate
- Never ove and tighte

GENERAL

- Never ope
- Keep all nu equipment
- Never tam their prope



- Be sure th before ope enters the
- Never carr
- Do not mc necessary before anc
- Never carr shut off. Tl injured or operation. rides in th the mowir run over o
- Keep chilo in the watc other than

SERVICE NOTES
SERVICIO AVISO

ok behind and

with the blades
id be seriously
safe machine
ve been given
only appear in
ride and be run
machine.
erate the ma-

oaching blind
other objects
f a child.

at has a hitch
t attach towed
tch point.
recommended
ed equipment

hers in or on

to towed equip-
ction and loss

ra distance to

SOLINE

roperty dam-
dling gasoline.
iable and the

cigars, pipes,
in.

e container.
add fuel with
engine to cool

oors.
fuel container
me, spark, or
ater heater or

a vehicle or
h plastic liner.
n the ground
en filling.

SERVICE NOTES SERVICIO AVISO

DANGER: T
objects. Fai
injury or de

⚠️ WARNIN
starting whe
justing or ma
spark plug wi
contact spar

⚠️ WARNIN
neutral, you

⚠️ WARNIN
that are rec
specification
tractor. Use
Operate only
when on a sl
on a slope,
traction with
lose control

⚠️ WARNIN
constituents,
contain or err
of California t
or other repr

⚠️ WARNIN
related acce
compounds,
California to
or other repr
after handli

I. GENERA

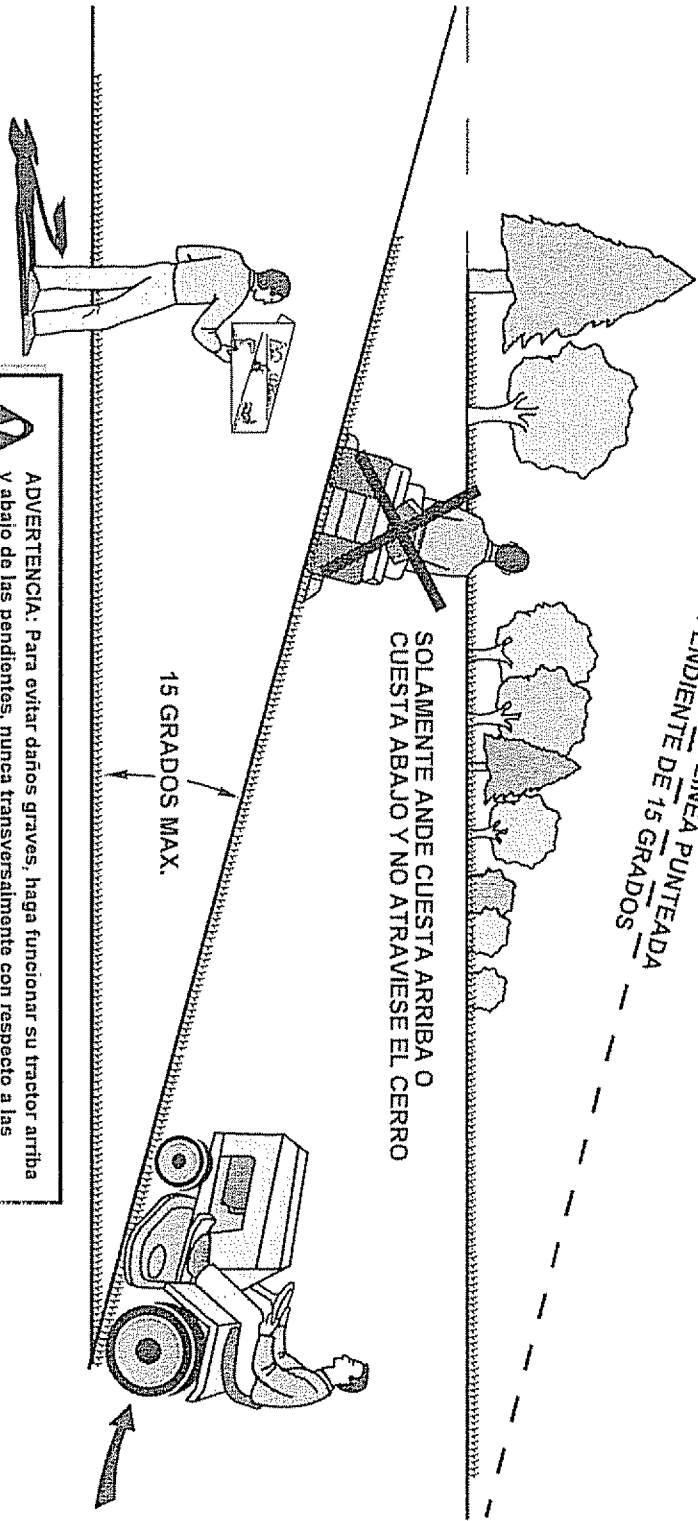
- Read, und
tions on th
before stai
- Do not pu
parts or ut
of the disc
- Only allow
familiar wi
the machir
- Clear the a
toys, wire,
and throwr
- Be sure th
before ope
enters the
- Never carr

GUÍA SUGERIDA PARA MEDIR LAS PENDIENTES CON LA VISTA PARA UNA OPERACIÓN SEGURA

PLEGAR A LO LARGO DE LA LÍNEA PUNTEADA
ESTA ES UNA PENDIENTE DE 15 GRADOS

SOLAMENTE ANDE CUESTA ARRIBA O
CUESTA ABAJO Y NO ATRAVIESE EL CERRO

15 GRADOS MAX.



ADVERTENCIA: Para evitar daños graves, haga funcionar su tractor arriba y abajo de las pendientes, nunca transversalmente con respecto a las pendientes. No cortar pendientes mayores de 15 grados. Haga los virajes gradualmente para evitar volcarse o la pérdida de control. Tenga mucho cuidado cuando cambie de dirección en las pendientes.

1. Plegar esta página a lo largo de la línea punteada arriba indicada.
2. Tener la página ante de sí mismos de modo que su borde izquierdo sea vertical paralelo al tronco del árbol u otra estructura vertical.
3. Mirar a través del pliegue en dirección de la pendiente que se quiere medir.
4. Comparar el ángulo del pliegue con la pendiente del terreno.

NEED MORE HELP?

You'll find the answer and more on managemyhome.com – for free!

- Find this and all your other product manuals online.
- Get answers from our team of home experts.
- Get a personalized maintenance plan for your home.
- Find information and tools to help with home projects.

manage  home

brought to you by Sears

Get it fixed, at your home or ours!

Your Home

For repair – in your home – of all major brand appliances, lawn and garden equipment, or heating and cooling systems, no matter who made it, no matter who sold it!

For the replacement parts, accessories and owner's manuals that you need to do-it-yourself.

For Sears professional installation of home appliances and items like garage door openers and water heaters.

1-800-4-MY-HOME® Anytime, day or night
(1-800-469-4663) (U.S.A. and Canada)
www.sears.com www.sears.ca

Our Home

For repair of carry-in products like vacuums, lawn equipment, and electronics, call or go on-line for the nearest Sears Parts and Repair Center.

1-800-488-1222 Anytime, day or night (U.S.A. only)
www.sears.com

To purchase a protection agreement (U.S.A.) or maintenance agreement (Canada) on a product serviced by Sears:

1-800-827-6655 (U.S.A.) **1-800-361-6665** (Canada)

Para pedir servicio de reparación a domicilio, y para ordenar piezas:

1-888-SU-HOGAR®
(1-888-784-6427)

Au Canada pour service en français:

1-800-LE-FOYER^{MC}
(1-800-533-6937)
www.sears.ca



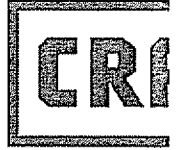
© Sears Brands, LLC

® Registered Trademark / ™ Trademark / SM Service Mark of Sears Brands, LLC

® Marca Registrada / ™ Marca de Fábrica / SM Marca de Servicio de Sears Brands, LLC

^{MC} Marque de commerce / ^{MD} Marque déposée de Sears Brands, LLC

Opera



LAW

17.5 F

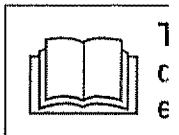
Electri

6 Spec

Model N

917.289

• Español



IMPORTA/
Read and
Rules and
operating

Sears, Ro
Visit our Cra